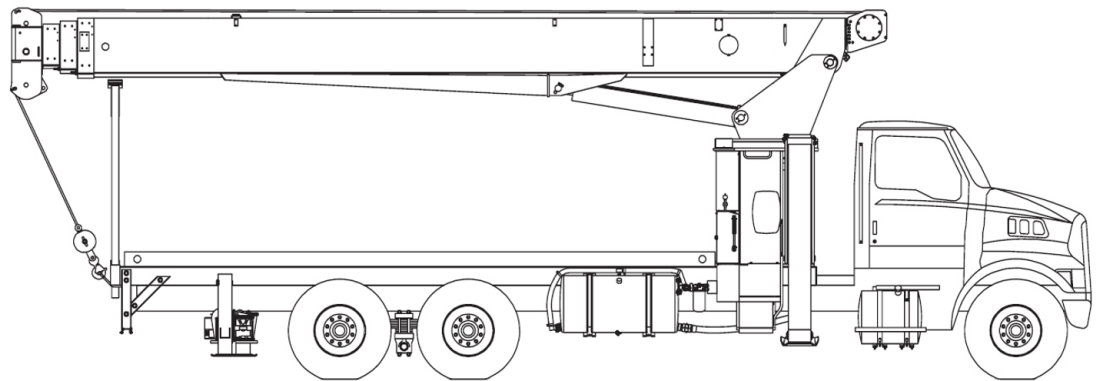


Boom Truck Operator Standards

Stiff Boom Unlimited Tonnage

December 2009



Copyright © 2009 BC Crane Safety
www.bccranesafety.ca

This publication may not be reproduced in any form without permission by
BC Crane Safety

Table of Contents

FOREWORD	ERROR! BOOKMARK NOT DEFINED.
ACKNOWLEDGEMENTS	ERROR! BOOKMARK NOT DEFINED.
OCCUPATION ANALYSIS CHART	ERROR! BOOKMARK NOT DEFINED.
TABLE OF TIME ALLOTMENTS.....	ERROR! BOOKMARK NOT DEFINED.
SECTION 1 – SAFETY.....	22
Unit Standard CS 1.1 K.....	22
Unit Standard CS 1.2 K.....	27
Unit Standard CS 1.3 W.....	29
SECTION 2 – COMMUNICATIONS	32
Unit Standard CCOM 2.1 K.....	32
Unit Standard CCOM 2.2 K.....	34
Unit Standard CCOM 2.3 K.....	36
Unit Standard CCOM 2.4 K.....	38
Unit Standard CCOM 2.5 W.....	40
Unit Standard CCOM 2.6 W.....	42
Unit Standard CCOM 2.7 W.....	44
SECTION 3 – CRANES.....	48
Unit Standard CC 3.1 K	48
Unit Standard CC 3.2 K	50
Unit Standard CC 3.3 K	52
Unit Standard CC 3.4 K	54
SECTION 4 – RIGGING	57
Unit Standard CR 4.1 K	57
Unit Standard CR 4.2 K	58
Unit Standard CR 4.3 K	61
Unit Standard CR 4.4 K	63
Unit Standard CR 4.5 K	66
Unit Standard CR 4.6 W	68
SECTION 5 – LOAD CHARTS.....	71
Unit Standard CLC 5.1 K	71
Unit Standard CLC 5.2 K	74
Unit Standard CLC 5.3 W	77

SECTION 8 – CRANE OPERATIONS	80
Unit Standard CCO 8.1 K.....	80
Unit Standard CCO 8.4 W.....	84
SECTION 9 – MAINTENANCE & SERVICE	88
Unit Standard CMS 9.1 W.....	88
TRAINING PROVIDER STANDARDS	91
BC CRANE OPERATOR PROGRAM OVERVIEW	93
The BCACS Levels	94
The Steps to Qualification.....	94
RECOMMENDED REFERENCE TEXTBOOKS	96
Reference Authority	98
SECTION 3 – CRANES.....	ERROR! BOOKMARK NOT DEFINED.
Unit Standard AC 3.17 K.....	109
Unit Standard AC 3.18 K.....	113
Unit Standard AC 3.19 K.....	115
SECTION 6 – TRANSPORTATION & DELIVERY.....	ERROR! BOOKMARK NOT DEFINED.
Unit Standard ATD 6.12 K	126
Unit Standard ATD 6.13 K	129
SECTION 7 – SITE PLANNING & CRANE POSITIONING ..	ERROR! BOOKMARK NOT DEFINED.
Unit Standard ASPCP 7.10 K	137
Unit Standard ASPCP 7.11 W.....	139
SECTION 8 – CRANE OPERATIONS	ERROR! BOOKMARK NOT DEFINED.
Unit Standard ACO 8.13 K.....	150
Unit Standard ACO 8.14 W.....	154
SECTION 9 – MAINTENANCE & SERVICE .173	ERROR! BOOKMARK NOT DEFINED.
Unit Standard AMS 9.23 K.....	175
Unit Standard AMS 9.24 K.....	178
Unit Standard AMS 9.25 W	182
Unit Standard AMS 9.26 W	186
Unit Standard AMS 9.27 W	188

TRAINING PROVIDER STANDARDS 191
BC CRANE OPERATOR PROGRAM OVERVIEW 193
RECOMMENDED REFERENCE TEXTBOOKS, VIDEO/DVD RESOURCES 197

FOREWORD

This Program Outline is for use in guiding competency based training of crane operators who operate Boom Trucks with Stiff Booms with capacity (unlimited tonnage). This includes the following boom crane types:

- Hydraulic telescoping stiff (luffing) booms

The program outline contains Knowledge Units and Workplace Unit Standards of Competence (Workplace Units).

Knowledge units are achieved outside the performance of the learner's regular work as for example in a classroom or through self study of learning resources.

Workplace Units build upon the Knowledge Units and allow the learner to gather naturally occurring evidence of workplace performance while they work. Evidence is assessed against the performance standard defined by industry which is twinned with each task outlined in the Workplace Unit.

Typically credit for Knowledge Units will be achieved through learning sponsored by the Industry Training Authority. The Knowledge Units in this document define the desired outcome for learners to achieve in the theoretical portions of training. Industry wishes learners to have options in achieving credit for Knowledge Units and it is that methods will be devised to enable learners to achieve these outcomes using a variety of non-traditional learning methodologies such as distance education and self – study.

Safe working practices, though not always specified in each of the competencies, are a part of the safe working and learning conditions underlying all these standards and will be required in the presentation of evidence to meet these standards.

This Program Outline includes a list of recommended reference textbooks that are available to support achievement of the Knowledge Units. The final section of the Outline provides some direction by industry on training options for the program as a whole.

ACKNOWLEDGEMENTS

Development of the Standards

These Unit Standards were developed through extensive consultation with a broad cross section of stakeholders in BC's mobile crane and boom truck industry – crane owners, boom truck owners and operators and other occupations which make occasional yet regular use of cranes.

The BC Association for Crane Safety (BCACS) is a non profit society which was formed in 2005 to lead and coordinate activities and initiatives which promote safer crane operation in BC. BCACS was started and is governed by BC's Crane Industry through a volunteer board of crane industry stakeholders. A main area of concern has been setting the standard for competent operation in BC and promotion of the industry standard to drive excellence in crane training.

The BCACS led the development of these standards through funding support of WorkSafe BC and the Industry Training Authority of BC.

In 2005 a representative group of crane owners from the Mobile Crane, Boom Truck and Tower Crane industries in BC began work to identify the Core Standards of Competence required of all Crane Operators in BC. To begin this work the Skills Profiles for Operating Engineers, produced by the Construction Sector Council, were used.

In mid 2006 the industry had identified a Common Core of Competence Standards across all crane types. The core competencies were drawn from three sets of revised Competency Profiles endorsed by the industry in 2006. These are the profiles:

- 1) Mobile Cranes
 - a) Mobile Crane 80 tonnes and under
 - b) Mobile (unlimited tonnage)
 - c) Mobile Lattice Friction
 - d) Mobile Lattice Hydraulic

- 2) Boom Trucks
 - a) Boom Folding 22 tonnes and under
 - b) Boom Folding (unlimited tonnage)
 - c) Boom Stiff 40 tonnes and under
 - d) Boom Stiff (unlimited tonnage)

- 3) Tower Cranes
 - a) Tower Crane

These Competency Profiles and the Core components were submitted to the Industry Training

Authority for approval as revised program standards in July of 2006. They were approved by the ITA board shortly thereafter.

In October 2006 the ITA Board approved funding to develop industry's requested modifications to the Mobile Crane and Boom Truck Operator Apprenticeship with a portion of the development funds assigned to develop the Crane Common Core Standards. The BCACS was awarded development funds to build the Boom Truck Program Standards and Assessment Tools (which includes the Common Core) as an integrated on job / off job Competency Based Qualification.

The Standards in this Outline build upon the Crane Common Core and make up the Program for Boom Truck with Stiff Boom (unlimited tonnage).

BCACS contracted this work to Fulford Harbour Group and Durham College in 2007. Through the first quarter of 2007 a group of Subject Matter Experts (SMEs) met to validate the Competency Standards developed from the Industry Endorsed Competency Profile. This group was made up of the following SMEs:

Barry Conroy	Richard Hobman
Gord Lindberg	Terry Lindal
Grant Washington	Brad Paddock
Steve Neil	Rob Falk
Don Cousins	Paul Welder

The development team wishes to thank the SMEs for their dedication, Fraser Cocks Executive Director and Rob Magee Chairman of the BCACS for their support in pioneering development of an innovative approach to competency based crane training, Russel Robertson of the ITA for insight and guidance through his unstinting sharing of international competency based training best practice and lastly Don Nelson of Work Safe BC for the unwavering commitment to proof of competence as the foundation of BC's crane regulations.

This work would not have been possible without the contribution of thousands of hours of industry stakeholder time through the BCACS task groups. This group expressed great patience in opening new waters for BC Crane Training and their efforts are appreciated.

Validation: Common Core and Mobile Crane Standards

The standards were validated by the following Multi-Crane Stakeholder and SME Group:

Name

Fraser Cocks

Barry Conroy

Gord Lindberg

Grant Washington

Steve Neil

Don Cousins

Richard Hobman

Terry Lindal

Brad Paddock

Rob Falk

Paul Welder

These Competency Standards were validated by the above SME group on February 15th 2007 and are subject to adjustment through the end of 2007 as they are piloted.

Thereafter these standards are valid until 2011 when industry has scheduled a formal review of their competence standards.

Mechanism for Adjustment

The BC Association for Crane Safety is industry's lead body in coordinating development of and updates to these standards.

For revision suggestions please e-mail info@bccranesafety.ca.

BCACS will endeavour to respond as quickly as possible to suggestions or concerns over the standards. Some suggestions or requested changes may require an industry consultation to determine their validity and relevance across all sectors of the industry.

SAFETY ADVISORY

Be advised that references to the parts of the WorkSafeBC regulation contained within these materials do not/may not reflect the most recent Occupational Health and Safety Regulation (the current Standards and Regulation in BC can be obtained on the following website: <http://www.worksafebc.com>. Please note that it is always the responsibility of any person using these materials to inform him/herself about the Occupational Health and Safety Regulation pertaining to his/her work.

OCCUPATION ANALYSIS CHART

Boom Truck Operator Standard – Stiff Boom Unlimited Tonnage



Core & Boom Truck Operator Stiff Boom unlimited tonnage

1. Safety (CS)	1.1 K Demonstrate knowledge of safe working practices for crane operators	1.2 K Demonstrate knowledge of power line hazards and high voltage equipment	1.3 W Comply with WorkSafeBC and OH & S regulations				
	1	1	1				
2. Communications (CCOM)	2.1 K Demonstrate knowledge of personnel involved in crane operations	2.2 K Demonstrate knowledge of hand signals	2.3 K Demonstrate knowledge of radio communications	2.4 K Demonstrate knowledge of workplace communications	2.5 W Use hand signals in the workplace	2.6 W Use radio communications in the workplace	
	1	1	1	1	1	1	
	2.7 W Communicate information clearly and check for understanding in the workplace						
	1						
3. Cranes (CC)	3.1 K Demonstrate knowledge of types of cranes and classifications	3.2 K Demonstrate knowledge of terminology related to craning and craning concepts	3.3 K Demonstrate knowledge of hoisting terminology, functions and <u>systems</u>	3.4 K Demonstrate knowledge of regulatory requirements pertaining to cranes	3.11 K Demonstrate knowledge of components and attachments for boom trucks with folding booms (unlimited tonnage)	3.12 K Demonstrate knowledge of engines and ancillary systems on boom trucks with folding booms (unlimited tonnage)	
	1	1	1	1	2	2	
	3.13 K Demonstrate knowledge of power transfer for boom trucks with folding booms (unlimited tonnage)	3.17 K Demonstrate knowledge of components and attachments for boom trucks with stiff booms (unlimited tonnage)	3.18 K Demonstrate knowledge of engines and ancillary systems on boom trucks with stiff booms (unlimited tonnage)	3.19 K Demonstrate knowledge of power transfer for boom trucks with stiff booms (unlimited tonnage)			
	2	2	2	2			
4. Rigging (CR)	4.1 K Demonstrate knowledge of lifting theory and <u>forces</u>	4.2 K Demonstrate knowledge of rigging hardware, materials, <u>tools</u> and <u>manuals</u>	4.3 K Demonstrate knowledge of types and function of wire rope and chains	4.4 K Demonstrate knowledge of installation, inspection and storage of wire rope	4.5 K Demonstrate knowledge of rigging techniques	4.6 W Use rigging hardware and tools in the workplace	
	1	1	1	1	1	1	

Boom Truck Operator Standard – Stiff Boom Unlimited Tonnage

5. Load Charts (CLC)	5.1 K Demonstrate knowledge of determining weight loads using fundamental math functions and calculations	5.2 K Demonstrate knowledge of loading and lifting	5.3 W Interpret load charts and load study drawings to configure crane for workplace operation	
	1	1	1	
6. Transportation and Delivery (ATD)	6.8 K Demonstrate knowledge of BC Ministry of Transportation – Commercial Transport rules and regulations as they pertain to driving boom trucks with folding booms (unlimited tonnage)	6.9 K Demonstrate knowledge to prepare a boom truck with a folding boom (unlimited tonnage) for highway/road travel	6.12 K Demonstrate knowledge of BC Ministry of Transportation – Commercial Transport rules and regulations as they pertain to the driving of boom trucks with stiff booms (unlimited tonnage)	6.13 K Demonstrate knowledge to prepare a boom truck with a stiff boom (unlimited tonnage) for highway/road travel
	2	2	2	2
7. Site Planning and Crane Positioning (ASPCP)	7.6 K Demonstrate knowledge to locate and safely position a boom truck with a folding boom (unlimited tonnage) using site assessment tools	7.7 W Conduct an accurate site assessment and safely position a boom truck with a folding boom (unlimited tonnage) in the workplace	7.10 K Demonstrate knowledge to safely position a boom truck with a stiff boom (unlimited tonnage) in the workplace	7.11 W Conduct an accurate site assessment and safely position a boom truck with a stiff boom (unlimited tonnage) in the workplace
	2	2	2	2
8. Crane Operations (CCO)	8.1 K Demonstrate knowledge of pre-operational requirements in crane operations	8.9 K Demonstrate knowledge of operating a boom truck with a folding boom (unlimited tonnage)	8.10 W Operate a boom truck with a folding boom (unlimited tonnage) to safely lift and place loads in a workplace	8.13 K Demonstrate knowledge of operating a boom truck with a stiff boom (unlimited tonnage)
	1	2	2	8.14 W Operate a boom truck with a stiff boom (unlimited tonnage) to safely pick up and carry loads in a workplace
		2	2	2

Boom Truck Operator Standard – Stiff Boom Unlimited Tonnage

9. Maintenance and Service (AMS)

<p>9.1 W Maintain an equipment logbook to retain a permanent written record of maintenance and repairs</p>	<p>9.13 K Demonstrate knowledge of inspecting engines, monitoring devices and hydraulic systems on boom trucks with folding booms (unlimited tonnage)</p>	<p>9.14 K Demonstrate knowledge of servicing and maintenance procedures on boom trucks with folding booms (unlimited tonnage)</p>	<p>9.15 W Complete maintenance checklists (engine on/ engine off) and maintain engines on a boom truck with a folding boom (unlimited tonnage) to manufacturer's specifications</p>	<p>9.16 W Perform routine inspections and maintenance of hydraulic systems on a boom truck with a folding boom (unlimited tonnage)</p>	<p>9.17 W Inspect monitoring devices and control mechanisms on a boom truck with a folding boom (unlimited tonnage)</p>
1	2	2	2	2	2
<p>9.23 K Demonstrate knowledge of inspecting engines, monitoring devices and hydraulic systems on boom trucks with stiff booms (unlimited tonnage)</p>	<p>9.24 K Demonstrate knowledge of servicing and maintenance procedures on boom trucks with stiff booms (unlimited tonnage)</p>	<p>9.25 W Complete maintenance checklists (engine on/ engine off) and maintain engines on a boom truck with a stiff boom (unlimited tonnage) to manufacturer's specifications</p>	<p>9.26 W Perform routine inspections and maintenance of hydraulic systems on a boom truck with a stiff boom (unlimited tonnage)</p>	<p>9.27 W Inspect monitoring devices and control mechanisms on a boom truck with a stiff boom (unlimited tonnage)</p>	
2	2	2	2	2	

**BC CRANE OPERATOR
CORE & STIFF BOOM UNLIMITED
TONNAGE
PROGRAM OUTLINE**

Boom Truck Operator Standard – Stiff Boom Unlimited Tonnage

**SUGGESTED TIME ALLOTMENTS
CORE**

Core Level		Theory	Practical
Unit	Section 1 – Safety Knowledge	% of Time 5%	
CS 1.1 K	Demonstrate knowledge of safe working practices for crane operators	✓	
CS 1.2 K	Demonstrate knowledge of power line hazards and high voltage equipment	✓	
Unit	Section 1 – Safety Practical (Workplace) standards	Must meet	
CS 1.3 W	Comply with WorkSafeBC and OH & S regulations		✓
Total Percentage for Section 1		5%	
Unit	Section 2 - Communications Knowledge	% of Time 5%	
CCOM 2.1 K	Demonstrate knowledge of personnel involved in crane operations	✓	
CCOM 2.2 K	Demonstrate knowledge of hand signals	✓	
CCOM 2.3 K	Demonstrate knowledge of radio communications	✓	
CCOM 2.4 K	Demonstrate knowledge of workplace communications	✓	
Unit	Section 2 - Communications Practical standards	Must meet	
CCOM 2.5 W	Use hand signals in the workplace		✓
CCOM 2.6 W	Use radio communications in the workplace		✓
CCOM 2.7 W	Communicate information clearly and check for understanding in the workplace		✓
Total Percentage for Section 2		5%	

Core Level			Theory	Practical
Unit	Section 3 – Cranes Knowledge Time	% of	10%	
CC 3.1 K	Demonstrate knowledge of types of cranes and classifications		✓	
CC 3.2 K	Demonstrate knowledge of terminology related to craning and craning concepts		✓	
CC 3.3K	Demonstrate knowledge of hoisting terminology, functions and systems		✓	
CC 3.4 K	Demonstrate knowledge of regulatory requirements pertaining to cranes		✓	
Total Percentage for Section 3			10%	
Unit	Section 4 – Rigging Knowledge Time	% of	20%	
CR 4.1 K	Demonstrate knowledge of lifting theory and forces		✓	
CR 4.2 K	Demonstrate knowledge of rigging hardware, materials, tools and manuals		✓	
CR 4.3 K	Demonstrate knowledge of types and function of wire rope and chains		✓	
CR 4.4 K	Demonstrate knowledge of installation, inspection and storage of wire rope		✓	
CR 4.5 K	Demonstrate knowledge of rigging techniques		✓	
Unit	Section 4 - Rigging Practical standards			Must meet
CR 4.6 W	Use rigging hardware and tools in the workplace			✓
Total Percentage for Section 4			20%	
Unit	Section 5 – Load Charts Knowledge	% of Time	30	
CLC 5.1 K	Demonstrate knowledge of determining weight loads using fundamental math functions and calculations		✓	
CLC 5.2 K	Demonstrate knowledge of loading and lifting		✓	
Unit	Section 5 – Load Charts Practical standards			Must meet
CLC 5.3 W	Interpret load charts and load study drawings to configure crane for workplace operation			✓
Total Percentage for Section 5			30%	

Core Level		Theory	Practical
Unit	Section 8 – Crane Operations - Knowledge	30%	
CCO 8.1 K	Demonstrate knowledge of pre-operational requirements in crane operations	✓	
Unit	Section 8 – Crane Operations – Practical standards		Must meet
CCO 8.4 W	Demonstrate crane set-up per manufacturer’s instructions (except Task 4 in Mobile)		✓
Total Percentage for Section 8		30%	
Unit	Section 9 - Maintenance & Service – practical standards		Must meet
CMS 9.1 W	Maintain an equipment logbook to retain a permanent written record of maintenance and repairs		✓
Total Percentage for Section 9			
TOTAL ALL UNITS		100%	

TABLE OF TIME ALLOTMENTS BOOM TRUCK OPERATOR STIFF BOOM UNLIMITED TONNAGE

Boom Truck Operator Stiff Boom Unlimited Tonnage			Theory	Practical
Unit	Section 3 – Cranes - Knowledge	% of Time		
AC 3.11 K	Demonstrate knowledge of components and attachments for boom trucks with folding booms (unlimited tonnage)		✓	
AC 3.12 K	Demonstrate knowledge of engines and ancillary systems on boom trucks with folding booms (unlimited tonnage)		✓	
AC 3.13 K	Demonstrate knowledge of power transfer for boom trucks with folding booms (unlimited tonnage)		✓	
AC 3.17 K	Demonstrate knowledge of components and attachments for boom trucks with stiff booms (unlimited tonnage)		✓	
AC 3.18 K	Demonstrate knowledge of engines and ancillary systems on boom trucks with stiff booms (unlimited tonnage)		✓	
AC 3.19 K	Demonstrate knowledge of power transfer for boom trucks with stiff booms (unlimited tonnage)		✓	

Total Percentage for Section 3



Unit	Section 6 - Transportation & Delivery – Practical	Must meet standards
ATD 6.8 K	Demonstrate knowledge of BC Ministry of Transportation – Commercial Transport rules and regulations as they pertain to driving boom trucks with folding booms (unlimited tonnage)	✓
ATD 6.9 K	Demonstrate knowledge to prepare a boom truck with a folding boom (unlimited tonnage) for highway/road travel	✓
ATD 6.12 K	Demonstrate knowledge of BC Ministry of Transportation – Commercial Transport rules and regulations as they pertain to delivery of boom trucks with stiff booms (unlimited tonnage)	✓
ATD 6.13 K	Demonstrate knowledge to prepare a boom truck with a stiff boom (unlimited tonnage) for highway/road travel	✓

Total Percentage for Section 6



Boom Truck Operator Stiff Boom Unlimited Tonnage		Theory	Practical
Section 7 - Site Planning & Crane Positioning			
Unit	- Knowledge	% of Time	
ASPCP 7.6 K	Demonstrate knowledge to locate and safely position a boom truck with a folding boom (unlimited tonnage) using site assessment tools	✓	
ASPCP 7.10 K	Demonstrate knowledge of accurate site assessment tools	✓	
Section 7 - Site Planning & Crane Positioning – Practical			
Unit			Must meet standards
ASPCP 7.7 W	Conduct an accurate site assessment and safely position a boom truck with a folding boom (unlimited tonnage) in the workplace		✓
ASPCP 7.11 W	Conduct an accurate site assessment and safely position a boom truck with a stiff boom (unlimited tonnage) in the workplace		✓
Total Percentage for Section 7			
<hr/>			
Unit	Section 8 – Crane Operations - Knowledge	% of Time	
ACO 8.11 K	Demonstrate knowledge of operating a boom truck with a folding boom (unlimited tonnage)	✓	
ACO 8.13 K	Demonstrate knowledge of operating a boom truck with a stiff boom (unlimited tonnage)	✓	
Section 8 – Crane Operations – Practical			
Unit			Must meet standards
ACO 8.12 W	Operate a boom truck with a folding boom (unlimited tonnage) to safely lift and place loads in a workplace		✓
ACO 8.14 W	Operate a boom truck with a stiff boom (unlimited tonnage) to safely pick and carry loads in a workplace		✓
Total Percentage for Section 8			
<hr/>			
Unit	Section 9 - Maintenance & Service - Knowledge	% of Time	
AMS 9.13 K	Demonstrate knowledge of inspecting engines, monitoring devices and hydraulic systems on boom trucks with folding booms (unlimited tonnage)	✓	
AMS 9.14 K	Demonstrate knowledge of servicing and maintenance procedures on boom trucks with folding booms (unlimited tonnage)	✓	
AMS 9.23 K	Demonstrate knowledge of inspecting engines, monitoring devices and hydraulic systems on boom trucks with stiff booms (unlimited tonnage)	✓	

Boom Truck Operator Standard – Stiff Boom Unlimited Tonnage

Boom Truck Operator Stiff Boom Unlimited Tonnage

		Theory	Practical
AMS 9.24 K	Demonstrate knowledge of servicing and maintenance procedures on boom trucks with stiff booms o(unlimited tonnage)	✓	

Unit	Section 9 - Maintenance & Service - Practical	Must meet standards
AMS 9.15 W	Complete maintenance checklists (engine on/ engine off) and maintain engines on a boom truck with a folding boom (unlimited tonnage) to manufacturer's specifications	✓
AMS 9.16 W	Perform routine inspections and maintenance of hydraulic systems on a boom truck with a folding boom (unlimited tonnage)	✓
AMS 9.17 W	Inspect monitoring devices and control mechanisms on a boom truck with a folding boom (unlimited tonnage)	✓
AMS 9.25 W	Complete maintenance checklists (engine on/ engine off) and maintain engines on a boom truck with a stiff boom (unlimited tonnage) to manufacturer's specifications	✓
AMS 9.26 W	Perform routine inspections and maintenance of hydraulic systems on a boom truck with a stiff boom (unlimited tonnage)	✓
AMS 9.27 W	Inspect monitoring devices and control mechanisms on a boom truck with a stiff boom (unlimited tonnage)	✓

Total Percentage for Section 9



CORE PROGRAM OUTLINE

**PROGRAM OUTLINE
FOR
SECTION 1
SAFETY**

SECTION 1 – SAFETY

Unit Standard CS 1.1 K

SAFETY

Demonstrate knowledge of safe working practices for crane operators Core

Purpose

This unit of competency covers knowledge of potential hazards in the workplace.

Assessment

For assessment purposes, all explanations, descriptions, and activities must comply with current legislation, including WorkSafeBC regulations, and industry practice. CAN/CSA-Z150-20 Safety Code for Mobile Cranes, ANSI Standard ANSI/ASME B30.5-2021, Mobile and Locomotive Crane or ANSI/AMSE B30.22-2016, Articulating Boom Crane, Workplace Hazardous Material Information System (WHMIS) and delivery agency policy.

Quality Assurance

Any assessor assessing against this competency standard must be an occupationally competent crane operator with Red Seal endorsement (in the case of Mobile Crane) and industrial experience; and have completed the assessor registration competency.

References

WorkSafeBC Occupational Health and Safety (OHS) regulations
The Hoisting and Rigging Safety Manual, Infrastructure Health & Safety Association, 2009
CAN/CSA-Z150-20 Safety Code for Mobile Cranes,
ANSI Standard ANSI/ASME B30.5-2021, Mobile and Locomotive Crane or ANSI/AMSE B30.22-2016, Articulating Boom Crane,
Workplace Hazardous Material Information System (WHMIS) and delivery agency policy

Task 1

Describe workplace hazards in terms of the WorkSafeBC OHS regulations and how to eliminate, isolate, or minimize hazards.

Performance standards

1.1 Energy source hazards are described.

Must include

1. hydraulic
2. steam
3. electrical
4. air
5. stored energy
6. gravitational

7. pinch points
8. barriers
9. guards

1.2 Overhead hazards are described.

Must include

1. power lines
2. cranes
3. scaffolding
4. falling objects

1.3 Falling and lifting hazards and safe lifting procedures are described.

Must include

1. open holes
2. scaffolding

1.4 Mobile machinery hazards are described.

Must include

1. trains
2. trucks
3. cranes
4. forklift trucks
5. mobile conveyor

1.5 Rotating equipment hazards are described.

Must include

1. belts
2. pulleys
3. sheaves
4. conveyors
5. sprockets
6. chains
7. couplings
8. pinch points
9. barriers
10. guards

1.6 Gas hazards are described

Must include

1. explosive gases
2. poisonous gases
3. atomizers

4. oxygen deprived atmospheres
 - a. methane (CH₄)
 - b. lower explosive limit (LEL)
 - c. hydrogen sulphide (H₂S).

Task 2

Demonstrate knowledge of worksite hazard risk assessment and risk management procedures.

Performance standards

2.1 Risk assessment procedures and risk management procedures are described.

Must include

1. responsibility to maintain a safe work environment
2. changing weather
3. frozen surfaces
4. traffic
5. location
6. operating blind
7. slips
8. trips and falls
9. injury to others
10. injury from moving machinery.

2.2 Methods of communicating risks and risk situations to others are explained.

Must include

1. signage
2. tagging
3. verbal communications
4. written communications
5. safe work cards
6. risk hazard assessment procedures

2.3 Notifying local utilities when operating near utility lines or potential hazards is explained.

Task 3

Demonstrate knowledge of accident and incident reporting procedures.

3.1 Requirements for recording an accident and incident are explained

Must include

1. report form completion
2. report form processing

Task 4

Describe personal protection equipment.

Performance standards

4.1 Breathing protection equipment is described.

Must include

1. respirators and filters
2. dust protection
3. hand protection

4.2 Eye protection equipment in terms of goggles and shields.

4.3 Personal protective equipment and clothing (PPE) is described.

Must include

1. hard hat
2. boots
3. eyewear
4. hearing protection

Task 5

Demonstrate knowledge of response to fire emergencies.

Performance standards

5.1 Fire extinguisher types, servicing and use are described.

Must include

1. extinguisher types and capacities
2. use of extinguishers

5.2 Procedures for fighting electrical fires are explained.

Must include

1. isolate power
2. fire fighting equipment

5.3 Fire emergency response and evacuation procedures in accordance with industry practice are described.

Task 6

Describe procedure for emergency rescue from a crane.

Performance standard

5.1 Emergency rescue procedures are described.

Must include

1. tower crane operator station rescues
2. crane accident
3. crane fire

Task 7

Describe the 3 point contact method when mounting and dismounting equipment

Must include

1. cranes
2. other heavy equipment

Unit Standard CS 1.2 K

SAFETY

Demonstrate knowledge of power line hazards and high voltage equipment

Purpose

This unit standard covers knowledge about crane operation around high voltage equipment.

Prerequisite

CS 1.1 K Demonstrate knowledge of safe working practices for crane operators

Assessment

For assessment purposes, all explanations, descriptions, and activities must comply with current legislation, including WorkSafeBC regulations, and industry practice. CSA Standard Z150-16 Safety Code for Mobile Cranes, ANSI Standard ANSI/ASME B30.5-2021, Mobile and Locomotive Crane or ANSI/AMSE B30.22-2016, Articulating Boom Crane, Workplace Hazardous Material Information System (WHMIS) and delivery agency policy.

Quality Assurance

Any assessor assessing against this competency standard must be an occupationally competent crane operator with Red Seal endorsement (in the case of Mobile Crane) and industrial experience; and have completed the assessor registration competency.

References

WorkSafeBC Occupational Health and Safety (OHS) regulations

The Hoisting and Rigging Safety Manual,

Infrastructure Health and Safety Association of Ontario, 2009

CSA Standard Z150-16 Safety Code for Mobile Cranes,

ANSI Standard ANSI/ASME B30.5-2021, Mobile and Locomotive Crane or ANSI/AMSE B30.22-2016, Articulating Boom Crane,

Workplace Hazardous Material Information System (WHMIS)

and delivery agency policy

BC Hydro High Voltage safety manual

Task 1

Describe procedures for operating in proximity of overhead conductors.

Performance standard

1.1 Operating procedures in the vicinity of overhead conducts are described.

Must include

1. interpret signage related to high voltage
2. state safe limits of approach to overhead conductors

1.2 Procedures if contact is made with high voltage equipment are explained.

Must include

1. break crane contact with wire if possible
2. stay in cab until de-energized by utility company
3. jump clear
 - a. step potential (toe to heel)
4. apply first aid
5. inspect machine for damage caused by contact
6. report contact to job supervisor immediately
7. report contact to WorkSafeBC immediately
8. report contact to utility company immediately
9. record contact in crane Work Record log book

Unit Standard CS 1.3 W

Safety

Comply with WorkSafeBC OHS regulations

Purpose

Interpret and comply with WorkSafeBC OHS regulations, standards and guidelines.

Assessment

For assessment purposes, all explanations, descriptions, and activities must comply with current legislation, including WorkSafeBC regulations, and industry practice. CAN/CSA-Z150-16 Safety Code for Mobile Cranes, ANSI Standard ANSI/ASME B30.5-2021, Mobile and Locomotive Crane or ANSI/AMSE B30.22-2016, Articulating Boom Crane, Workplace Hazardous Material Information System (WHMIS) and delivery agency policy.

Quality Assurance

Any assessor assessing against this competency standard must be an occupationally competent crane operator with Red Seal endorsement (in the case of Mobile Crane) and industrial experience; and have completed the assessor registration competency.

References

WorkSafeBC Occupational Health and Safety (OHS) regulations

The Hoisting and Rigging Safety Manual,

Infrastructure Health and Safety Association of Ontario, 2009

CAN/CSA-Z150-20 Safety Code for Mobile Cranes,

ANSI Standard ANSI/ASME B30.5-2021, Mobile and Locomotive Crane or ANSI/AMSE B30.22-2016, Articulating Boom Crane,

Workplace Hazardous Material Information System (WHMIS) and delivery agency policy

Task 1

Comply with WorkSafeBC OHS regulations and procedures applicable to workers in the industrial workplace by demonstrating knowledge gained in training.

Performance standards

- 1.1 The purpose and role of WorkSafeBC is upheld while in the workplace.
- 1.2 The rights and responsibilities of employers and employees are protected and upheld
- 1.3 Reporting procedures are accurately completed
- 1.4 Thorough workplace inspections are performed

1.5 WorkSafeBC OHS regulations, standards and guidelines are complied with and adhered to in the workplace.

Must include

1. all regulations applicable in the apprentices workplace

CORE PROGRAM OUTLINE

**PROGRAM OUTLINE
FOR
SECTION 2
COMMUNICATIONS**

SECTION 2 – COMMUNICATIONS

Unit Standard CCOM 2.1 K

Communications

Demonstrate knowledge of personnel involved in crane operations - core

Purpose

Demonstrate knowledge of the personnel involved in crane operations and in a traditional workplace.

Assessment

For assessment purposes, all explanations, descriptions, and activities must comply with current legislation, including WorkSafeBC regulations, and industry practice. CAN/CSA-Z150-20 Safety Code for Mobile Cranes, ANSI Standard ANSI/ASME B30.5-2021, Mobile and Locomotive Crane or ANSI/AMSE B30.22-2016, Articulating Boom Crane, Workplace Hazardous Material Information System (WHMIS) and delivery agency policy.

Quality Assurance

Any assessor assessing against this competency standard must be an occupationally competent crane operator with Red Seal endorsement (in the case of Mobile Crane) and industrial experience; and have completed the assessor registration competency.

References

WorkSafeBC Occupational Health and Safety (OHS) regulations
The Hoisting and Rigging Safety Manual,
Infrastructure Health and Safety Association of Ontario, 2009
CAN/CSA-Z150-20 Safety Code for Mobile Cranes,
ANSI Standard ANSI/ASME B30.5-2021, Mobile and Locomotive Crane or ANSI/AMSE B30.22-2016, Articulating Boom Crane,
Workplace Hazardous Material Information System (WHMIS),
and delivery agency policy

Task 1

Describe the personnel involved in a workplace and the roles they play.

Performance standards

1.1 The roles and responsibilities are explained for personnel in the workplace

Must include

1. site supervisor
2. crane operator
3. rigger
4. signaller

Boom Truck Operator Standard – Stiff Boom Unlimited Tonnage

5. CSO – construction safety officer

Unit Standard CCOM 2.2 K

Communications

Demonstrate knowledge of hand signals – core

Purpose

Demonstrate knowledge of hand signals used in crane operations

Prerequisite

Unit Standard 2.1 K Demonstrate knowledge of personnel involved in crane operations

Assessment

For assessment purposes, all explanations, descriptions, and activities must comply with current legislation, including WorkSafeBC regulations, and industry practice. CAN/CSA-Z150-20 Safety Code for Mobile Cranes, ANSI Standard ANSI/ASME B30.5-2021, Mobile and Locomotive Crane or ANSI/AMSE B30.22-2016, Articulating Boom Crane, Workplace Hazardous Material Information System (WHMIS) and delivery agency policy.

Quality Assurance

Any assessor assessing against this competency standard must be an occupationally competent crane operator with Red Seal endorsement (in the case of Mobile Crane) and industrial experience; and have completed the assessor registration competency.

References

WorkSafeBC Occupational Health and Safety (OHS) regulations

The Hoisting and Rigging Safety Manual,

Infrastructure Health and Safety Association of Ontario, 2009

CAN/CSA-Z150-20 Safety Code for Mobile Cranes, CSA Standard Z248 Safety Code for Tower Cranes

ANSI Standard ANSI/ASME B30.5-2021, Mobile and Locomotive Crane or ANSI/AMSE B30.22-2016, Articulating Boom Crane,

Workplace Hazardous Material Information System (WHMIS),
and delivery agency policy

Task 1

Describe the hand signals used during crane operations.

Performance standards

- 1.1 Hand signals are accurately described
- 1.2 Hand signals are accurately identified and interpreted

1.3 Requirements of the crane hand signaller are explained

Unit Standard CCOM 2.3 K

Communications

Demonstrate knowledge of radio communications - core

Purpose

Demonstrate knowledge of the use of radio communications in the workplace.

Prerequisites

Unit Standard 2.1 K Demonstrate knowledge of personnel involved in crane operations

Unit Standard 2.2 K Demonstrate knowledge of hand signals

Assessment

For assessment purposes, all explanations, descriptions, and activities must comply with current legislation, including WorkSafeBC regulations, and industry practice. CAN/CSA-Z150-20 Safety Code for Mobile Cranes, ANSI Standard ANSI/ASME B30.5-2021, Mobile and Locomotive Crane or ANSI/AMSE B30.22-2016, Articulating Boom Crane, Workplace Hazardous Material Information System (WHMIS) and delivery agency policy.

Quality Assurance

Any assessor assessing against this competency standard must be an occupationally competent crane operator with Red Seal endorsement (in the case of Mobile Crane) and industrial experience; and have completed the assessor registration competency.

References

WorkSafeBC Occupational Health and Safety (OHS) regulations

The Hoisting and Rigging Safety Manual,

Infrastructure Health and Safety Association of Ontario, 2009

CAN/CSA-Z150-20 Safety Code for Mobile Cranes,

ANSI Standard ANSI/ASME B30.5-2021, Mobile and Locomotive Crane or ANSI/AMSE B30.22-2016, Articulating Boom Crane,

Workplace Hazardous Material Information System (WHMIS),

and delivery agency policy

Task 1

Describe the use of two-way electronic voice communication devices

Performance standards

- 1.1 The basic functions of the radio communication devices are described
- 1.2 Language and terminology used during radio communication is explained

Must include

1. short form words and phrases
2. use of 12 o'clock (clock face positioning reference) to aid in direction giving and interpreting

- 1.3 Use of two-way communication devices are demonstrated and tested in a class room environment.

Must include

1. Lost contact by radio and requirements to stop operation

Unit Standard CCOM 2.4 K

Communications

Demonstrate knowledge of workplace communications - core

Purpose

Demonstrate knowledge of the use of effective communications in the workplace.

Prerequisite

Unit Standard 2.1 K Demonstrate knowledge of personnel involved in crane operations

Assessment

For assessment purposes, all explanations, descriptions, and activities must comply with current legislation, including WorkSafeBC regulations, and industry practice. CAN/CSA-Z150-20 Safety Code for Mobile Cranes, ANSI Standard ANSI/ASME B30.5-2021, Mobile and Locomotive Crane or ANSI/AMSE B30.22-2016, Articulating Boom Crane, Workplace Hazardous Material Information System (WHMIS) and delivery agency policy.

Quality Assurance

Any assessor assessing against this competency standard must be an occupationally competent crane operator with Red Seal endorsement (in the case of Mobile Crane) and industrial experience; and have completed the assessor registration competency.

References

WorkSafeBC Occupational Health and Safety (OHS) regulations
The Hoisting and Rigging Safety Manual,
Infrastructure Health and Safety Association of Ontario, 2009
CAN/CSA-Z150-20 Safety Code for Mobile Cranes,
ANSI Standard ANSI/ASME B30.5-2021, Mobile and Locomotive Crane or ANSI/AMSE B30.22-2016, Articulating Boom Crane,
Workplace Hazardous Material Information System (WHMIS),
and delivery agency policy

Definitions

Active listening –the skills of listening. These skills may include but are not limited to questioning, reading and responding to body language, use of silence, paraphrasing, reflecting feels, summarizing

Task 1

Demonstrate knowledge of basic workplace documents and explain the need to correctly act on the content

Performance standards

1.1 Basic written communications in the workplace are described and interpreted accurately.

Must include

1. work orders and written instructions
2. work records
3. company logs
4. basic project plan
5. written reports

1.2 Techniques to ensure clear communication is achieved are explained

Must include

1. English workplace vocabulary
2. non-verbal communications
3. use of tone and volume
4. slang
5. cultural and geographical differences in language
6. tact
7. diplomacy
8. assertiveness

1.3 Techniques for checking understanding are described.

Must include

1. active and focused listening
2. recapping the key points
3. restating the instruction or sentence
4. clarifying questions

1.4 Hazards to personnel and equipment when communication breaks down in terms of safety and liability are described.

1.5 Causes of communication breakdowns are described.

Must include

1. noise
2. language differences
3. hearing problem (that may not have been identified)
4. bias
5. attitude
6. issues with egos and arrogance
7. issues with timidness and fear of speaking up

Unit Standard CCOM 2.5 W

Communications

Use hand signals in the workplace - core

Purpose

Demonstrate ability to use hand signals correctly in crane operations

Prerequisites

Unit Standard CCOM 2.1 K Demonstrate knowledge of personnel involved in crane operations

Unit Standard CCOM 2.2 K Demonstrate knowledge of hand signals

Unit Standard CCOM 2.3 K Demonstrate knowledge of radio communications

Unit Standard CCOM 2.4 K Demonstrate knowledge of workplace communications

Assessment

For assessment purposes, all explanations, descriptions, and activities must comply with current legislation, including WorkSafeBC regulations, and industry practice. CAN/CSA-Z150-20 Safety Code for Mobile Cranes, ANSI Standard ANSI/ASME B30.5-2021, Mobile and Locomotive Crane or ANSI/AMSE B30.22-2021, Articulating Boom Crane, Workplace Hazardous Material Information System (WHMIS) and delivery agency policy.

Quality Assurance

Any assessor assessing against this competency standard must be an occupationally competent crane operator with Red Seal endorsement (in the case of Mobile Crane) and industrial experience; and have completed the assessor registration competency.

References

WorkSafeBC Occupational Health and Safety (OHS) regulations

The Hoisting and Rigging Safety Manual,

Infrastructure Health and Safety Association of Ontario, 2009

CAN/CSA-Z150-20 Safety Code for Mobile Cranes,

ANSI Standard ANSI/ASME B30.5-2021, Mobile and Locomotive Crane or ANSI/AMSE B30.22-2016, Articulating Boom Crane,

Workplace Hazardous Material Information System (WHMIS),

and delivery agency policy

Task 1

Use hand signals and respond to hand signals during crane operations.

Performance standards

1.1 Hand signals are accurately used

1.2 Hand signals of others are accurately identified and interpreted

1.3 Hand signals aided in the safe and correct completion of a crane operation

Unit Standard CCOM 2.6 W

Communications

Use radio communications in the workplace - core

Purpose

Demonstrate ability to use radio communications in the workplace.

Prerequisites

Unit Standard CCOM 2.1 K Demonstrate knowledge of personnel involved in crane operations
Unit Standard CCOM 2.2 K Demonstrate knowledge of hand signals
Unit Standard CCOM 2.3 K Demonstrate knowledge of radio communications
Unit Standard CCOM 2.4 K Demonstrate knowledge of workplace communications

Assessment

For assessment purposes, all explanations, descriptions, and activities must comply with current legislation, including WorkSafeBC regulations, and industry practice. CAN/CSA-Z150-20 Safety Code for Mobile Cranes, ANSI Standard ANSI/ASME B30.5-2021, Mobile and Locomotive Crane or ANSI/AMSE B30.22-2016, Articulating Boom Crane, Workplace Hazardous Material Information System (WHMIS) and delivery agency policy.

Quality Assurance

Any assessor assessing against this competency standard must be an occupationally competent crane operator with Red Seal endorsement (in the case of Mobile Crane) and industrial experience; and have completed the assessor registration competency.

References

WorkSafeBC Occupational Health and Safety (OHS) regulations
The Hoisting and Rigging Safety Manual, Infrastructure Health and Safety Association of Ontario, 2009
CAN/CSA-Z150-20 Safety Code for Mobile Cranes,
ANSI Standard ANSI/ASME B30.5-2021, Mobile and Locomotive Crane or ANSI/AMSE B30.22-2021, Articulating Boom Crane,
Workplace Hazardous Material Information System (WHMIS),
and delivery agency policy

Task 1

Use a two-way electronic voice communication device in the workplace

Performance standards

- 1.1 Basic functions of the radio communication devices are used according to equipment instructions

- 1.2 Language and terminology used during radio communication is clearly understood
- 1.3 Two-way communication devices are used to relay clear, concise, relevant information.

Unit Standard CCOM 2.7 W

Communications

Communicate information clearly and check for understanding in the workplace – core

Purpose

Demonstrate knowledge of the use of effective and clear communications in the workplace.

Prerequisite

Unit Standard CCOM 2.1 K Demonstrate knowledge of personnel involved in crane operations

Assessment

For assessment purposes, all explanations, descriptions, and activities must comply with current legislation, including WorkSafeBC regulations, and industry practice. CAN/CSA-Z150-20 Safety Code for Mobile Cranes, ANSI Standard ANSI/ASME B30.5-2021, Mobile and Locomotive Crane or ANSI/AMSE B30.22-2016, Articulating Boom Crane, Workplace Hazardous Material Information System (WHMIS) and delivery agency policy.

Quality Assurance

Any assessor assessing against this competency standard must be an occupationally competent crane operator with Red Seal endorsement (in the case of Mobile Crane) and industrial experience; and have completed the assessor registration competency.

References

WorkSafeBC Occupational Health and Safety (OHS) regulations
The Hoisting and Rigging Safety Manual, Infrastructure Health and Safety Association of Ontario, 2009
CAN/CSA-Z150-20 Safety Code for Mobile Cranes,
ANSI Standard ANSI/ASME B30.5-2021, Mobile and Locomotive Crane or ANSI/AMSE B30.22-2016, Articulating Boom Crane,
Workplace Hazardous Material Information System (WHMIS),
and delivery agency policy

Definitions

Active listening –the skills of listening. These skills may include but are not limited to questioning, reading and responding to body language, use of silence, paraphrasing, reflecting feels, summarizing

Task 1

Read and demonstrate the correct interpretation of workplace documents

Performance standards

- 1.1 Use and interpret basic written communications in the workplace to accurately perform tasks as assigned.

Must include

1. work orders and written instructions
2. maintenance records
3. company logs
4. basic project plan
5. written reports.

- 1.2 Use techniques to ensure clear communication is achieved in the workplace

Must include

1. English workplace vocabulary
2. non-verbal communications
3. use of tone and volume
4. colloquialisms
5. cultural and geographical differences in language
6. tact
7. diplomacy
8. assertiveness.

- 1.3 Use techniques for checking understanding with colleagues

Must include

1. active and focused listening
2. recapping the key points
3. restating the instruction or sentence
4. clarifying questions.

- 1.4 Breakdown in communication does not occur and personnel and equipment are not exposed to hazards

- 1.5 Communicates clearly, fairly and accurately despite workplace communication barriers.

May include

1. noise
2. language differences
3. hearing problem (that may not have been identified)
4. bias
5. attitude
6. issues with egos and arrogance
7. issues with timidness and fear of speaking up.

CORE PROGRAM OUTLINE

**PROGRAM OUTLINE
FOR
SECTION 3
CRANES**

SECTION 3 – CRANES

Unit Standard CC 3.1 K

Cranes

Demonstrate knowledge of types of cranes and classifications- Core

Purpose

Demonstrate knowledge of types of cranes.

Assessment

For assessment purposes, all explanations, descriptions, and activities must comply with current legislation, including WorkSafeBC regulations, and industry practice. CAN/CSA-Z150-20 Safety Code for Mobile Cranes, ANSI Standard ANSI/ASME B30.5-2021, Mobile and Locomotive Crane or ANSI/AMSE B30.22-2016, Articulating Boom Crane, Workplace Hazardous Material Information System (WHMIS) and delivery agency policy.

Quality Assurance

Any assessor assessing against this competency standard must be an occupationally competent crane operator with Red Seal endorsement (in the case of Mobile Crane) and industrial experience; and have completed the assessor registration competency.

References

WorkSafeBC Occupational Health and Safety (OHS) regulations
The Hoisting and Rigging Safety Manual, Infrastructure Health and Safety Association of Ontario, 2009
CAN/CSA-Z150-20 Safety Code for Mobile Cranes,
ANSI Standard ANSI/ASME B30.5-2021, Mobile and Locomotive Crane or ANSI/AMSE B30.22-2016, Articulating Boom Crane,
Workplace Hazardous Material Information System (WHMIS),
and delivery agency policy

Task 1

Describe the types of cranes and their key functions.

Performance standards

1.1 The purpose and functions of cranes are described.

Must include

1. boom trucks
2. mobile cranes
3. tower cranes
4. self erect cranes

1.2 Cranes are categorized using classifications.

Must include

1. carrier types (e.g. crawler, rubber)
2. hoist mechanisms (e.g. hydraulic, conventional, electrical)
3. lifting capacity
4. boom types (e.g. lattice, hydraulic, knuckle boom, luffing boom.)
5. heavy lift cranes (e.g. super lift, ringer)
6. tower cranes
7. self-erect cranes

Unit Standard CC 3.2 K

Cranes

Demonstrate knowledge of terminology related to craning and craning concepts - core

Purpose

Demonstrate knowledge of terminology related to craning and craning concepts.

Prerequisite

Unit Standard CC 3.1 K Demonstrate knowledge of cranes and classifications

Unit Standard CC 3.2 K Demonstrate knowledge of crane components and attachments

Assessment

For assessment purposes, all explanations, descriptions, and activities must comply with current legislation, including WorkSafeBC regulations, and industry practice. CAN/CSA-Z150-20 Safety Code for Mobile Cranes, ANSI Standard ANSI/ASME B30.5-2021, Mobile and Locomotive Crane or ANSI/AMSE B30.22-2016, Articulating Boom Crane, Workplace Hazardous Material Information System (WHMIS) and delivery agency policy.

Quality Assurance

Any assessor assessing against this competency standard must be an occupationally competent crane operator with Red Seal endorsement (in the case of Mobile Crane) and industrial experience; and have completed the assessor registration competency.

References

WorkSafeBC Occupational Health and Safety (OHS) regulations

The Hoisting and Rigging Safety Manual, Infrastructure Health and Safety Association of Ontario, 2009

CAN/CSA-Z150-20 Safety Code for Mobile Cranes,

ANSI Standard ANSI/ASME B30.5-2021, Mobile and Locomotive Crane or ANSI/AMSE B30.22-2016, Articulating Boom Crane,

Workplace Hazardous Material Information System (WHMIS),
and delivery agency policy

Task 1

Describe terms related to craning commonly used in the work environment

Performance standards

1.1 Terms related to craning are explained and must include:

1. wire rope
2. fittings

3. drums
4. hooks
5. sheaves
6. winch
7. slew / swing
8. hoist
9. boom
10. swing brake
11. swing dog
12. mast
13. gantry
14. overload protection systems (limits)

Task 5

Demonstrate knowledge of travel braking systems in crane operations.

Performance standards

- 5.1 Components of the braking systems are described and their functions explained

Must include

1. air compressor
2. brake chambers
3. drums
4. brake bands
5. slack adjusters

- 5.2 Defects or malfunctions of braking systems are described

Must include

1. air compressors
2. brake chambers
3. drums
4. brake bands
5. slack adjusters

Unit Standard CC 3.3 K

Cranes

Demonstrate knowledge of hoisting terminology, functions and systems - core

Purpose

Demonstrate knowledge of hoisting terminology, functions and systems for crane operations

Prerequisite

Unit Standard CC 3.1 K Demonstrate knowledge of cranes and classifications

Unit Standard CC 3.2 K Demonstrate knowledge of crane components and attachments

Assessment

For assessment purposes, all explanations, descriptions, and activities must comply with current legislation, including WorkSafeBC regulations, and industry practice. CAN/CSA-Z150-20 Safety Code for Mobile Cranes, ANSI Standard ANSI/ASME B30.5-2021, Mobile and Locomotive Crane or ANSI/AMSE B30.22-2016, Articulating Boom Crane, Workplace Hazardous Material Information System (WHMIS) and delivery agency policy.

Quality Assurance

Any assessor assessing against this competency standard must be an occupationally competent crane operator with Red Seal endorsement (in the case of Mobile Crane) and industrial experience; and have completed the assessor registration competency.

References

WorkSafeBC Occupational Health and Safety (OHS) regulations

The Hoisting and Rigging Safety Manual, Infrastructure Health and Safety Association of Ontario, 2009

CAN/CSA-Z150-20 Safety Code for Mobile Cranes,

ANSI Standard ANSI/ASME B30.5-2021, Mobile and Locomotive Crane or ANSI/AMSE B30.22-2016, Articulating Boom Crane,

Workplace Hazardous Material Information System (WHMIS),
and delivery agency policy

Task 1

Demonstrate knowledge of hoisting functions and systems for crane operation

Performance Standards

1.1 Components of hoisting systems are described and their functions explained

Must include

Boom Truck Operator Standard – Stiff Boom Unlimited Tonnage

1. hydraulic boom
2. lattice boom
3. drums
4. hooks
5. sheaves
6. winch
7. brakes and clutches
8. trolley
9. roller
10. swing bearing

1.2 Defects or malfunctions of hoisting systems are described

Must include

1. hydraulic boom
2. lattice boom
3. drums
4. hooks
5. sheaves
6. winch
7. brakes and clutches
8. trolley
9. roller
10. swing bearing

Unit Standard CC 3.4 K

Cranes

Demonstrate knowledge of regulatory requirements pertaining to cranes - Core

Purpose

Demonstrate knowledge of the regulations to legally and safely operate cranes.

Prerequisite

Unit Standard CC 3.1 K Demonstrate knowledge of cranes and classifications

Unit Standard CC 3.2 K Demonstrate knowledge of crane components and attachments

Unit Standard CC 3.3 K Demonstrate knowledge of engines and ancillary systems

Assessment

For assessment purposes, all explanations, descriptions, and activities must comply with current legislation, including WorkSafeBC regulations, and industry practice. CAN/CSA-Z150-20 Safety Code for Mobile Cranes, ANSI Standard ANSI/ASME B30.5-2021, Mobile and Locomotive Crane or ANSI/AMSE B30.22-2016, Articulating Boom Crane, Workplace Hazardous Material Information System (WHMIS) and delivery agency policy.

Quality Assurance

Any assessor assessing against this competency standard must be an occupationally competent crane operator with Red Seal endorsement (in the case of Mobile Crane) and industrial experience; and have completed the assessor registration competency.

References

WorkSafeBC Occupational Health and Safety (OHS) regulations

The Hoisting and Rigging Safety Manual, Infrastructure Health and Safety Association of Ontario, 2009

CAN/CSA-Z150-20 Safety Code for Mobile Cranes,

ANSI Standard ANSI/ASME B30.5-2021, Mobile and Locomotive Crane or ANSI/AMSE B30.22-2016, Articulating Boom Crane,

Workplace Hazardous Material Information System (WHMIS) and delivery agency policy

IPT Crane and rigging manual

Task 1

Demonstrate knowledge of how the regulations apply to the operation of cranes in a workplace.

Performance standards

- 1.1 The impact of current regulations on workplace practices and crane operations is described

Must include

1. WorkSafeBC Occupational Health and Safety (OHS) regulations
2. The Hoisting and Rigging Safety Manual
3. Infrastructure Health and Safety Association of Ontario, 2009
4. CAN/CSA-Z150-20 Safety Code for Mobile Cranes
5. CSA Standard Z248 Safety Code for Tower Cranes
6. ANSI Standard ANSI/ASME B30.5-2021, Mobile and Locomotive Crane or ANSI/AMSE B30.22-2016, Articulating Boom Crane
7. Workplace Hazardous Material Information System (WHMIS)
8. Delivery agency policy

CORE PROGRAM OUTLINE

**PROGRAM OUTLINE
FOR
SECTION 4
RIGGING**

SECTION 4 – RIGGING

Unit Standard CR 4.1 K

Rigging

Demonstrate knowledge of lifting theory and forces – Core

Purpose

Demonstrate knowledge of the fundamentals of leverage

Assessment

For assessment purposes, all explanations, descriptions, and activities must comply with current legislation, including WorkSafeBC regulations, and industry practice. CAN/CSA-Z150-20 Safety Code for Mobile Cranes, ANSI Standard ANSI/ASME B30.5-2021, Mobile and Locomotive Crane or ANSI/AMSE B30.22-2016, Articulating Boom Crane, Workplace Hazardous Material Information System (WHMIS) and delivery agency policy.

Quality Assurance

Any assessor assessing against this competency standard must be an occupationally competent crane operator with Red Seal endorsement (in the case of Mobile Crane) and industrial experience; and have completed the assessor registration competency.

References

WorkSafeBC Occupational Health and Safety (OHS) regulations
The Hoisting and Rigging Safety Manual, Construction Safety Association of Ontario, 2009
CAN/CSA-Z150-20 Safety Code for Mobile Cranes,
ANSI Standard ANSI/ASME B30.5-2021, Mobile and Locomotive Crane or ANSI/AMSE B30.22-2016, Articulating Boom Crane,
Workplace Hazardous Material Information System (WHMIS),
and delivery agency policy

Task 1

Demonstrate knowledge of the principles of leverage

Performance standards

1.1 The principles of leverage are described

Must include

1. Sling angles
2. Class 1 lever
3. Class 2 lever
4. Class 3 lever
5. Centre of gravity
6. Sine of angle

Unit Standard CR 4.2 K

Rigging

Demonstrate knowledge of rigging hardware, materials, tools and manuals - Core

Purpose

Demonstrate knowledge of rigging hardware, materials, tools and manuals to safely rig a crane.

Assessment

For assessment purposes, all explanations, descriptions, and activities must comply with current legislation, including WorkSafeBC regulations, and industry practice. CAN/CSA-Z150-20 Safety Code for Mobile Cranes, ANSI Standard ANSI/ASME B30.5-2021, Mobile and Locomotive Crane or ANSI/AMSE B30.22-2016, Articulating Boom Crane, Workplace Hazardous Material Information System (WHMIS) and delivery agency policy.

Quality Assurance

Any assessor assessing against this competency standard must be an occupationally competent crane operator with Red Seal endorsement (in the case of Mobile Crane) and industrial experience; and have completed the assessor registration competency.

References

WorkSafeBC Occupational Health and Safety (OHS) regulations
The Hoisting and Rigging Safety Manual, Infrastructure Health and Safety Association of Ontario, 2009
CAN/CSA-Z150-20 Safety Code for Mobile Cranes,
ANSI Standard ANSI/ASME B30.5-2021, Mobile and Locomotive Crane or ANSI/AMSE B30.22-2016, Articulating Boom Crane,
Workplace Hazardous Material Information System (WHMIS),
and delivery agency policy

Task 1

Demonstrate knowledge of rigging hardware used in crane operations

Performance standards

1.1 Rigging hardware and its uses are described

Must include

1. hooks
2. shackles
3. slings
4. spreader bars
5. equalizer beams

6. chains
7. bridles
8. chokers

- 1.2 Specific information on rigging hardware from manufacturer's and rigging manuals is described and interpreted accurately according to industry standards

Task 2

Demonstrate knowledge of inspection, service and repairs to rigging hardware.

- 2.1 The procedure for inspecting rigging hardware is described as per manufacturer's manuals
- 2.2 Requirements for examining rigging hardware are described

Must include

1. excessive wear
2. damage
3. fraying
4. cracks
5. safety clips
6. broken wire

Task 3

- 3.1 Criteria for removing rigging hardware from service are described according to appropriate BC regulations
- 3.2 The procedure to remove clips is described as per manufacturer's manual and company procedures.
- 3.3 The process for removing rigging hardware is described

Must include

1. remove from crane and destroy.

- 3.4 The process of acceptable repairs to rigging hardware is described as prescribed by manufacturer

Must include

1. nylon sling – no repair
2. wire sling – no repair
3. chain – repair by manufacturer only
4. Kevlar – repair by manufacturer only

- 3.5 Defects and deficiencies are reported to appropriate personnel

Must include

1. job supervisor
2. crane supervisor
3. enter in crane logbook

Task 4

Demonstrate knowledge to store rigging hardware after use

- 4.1 Criteria for storing rigging hardware is explained as per manufacturer's guidelines

Unit Standard CR 4.3 K

Rigging

Demonstrate knowledge of types and functions of wire rope and chains - core

Purpose

Demonstrate knowledge of wire rope and chains in crane operations.

Assessment

For assessment purposes, all explanations, descriptions, and activities must comply with current legislation, including WorkSafeBC regulations, and industry practice. CAN/CSA-Z150-20 Safety Code for Mobile Cranes, ANSI Standard ANSI/ASME B30.5-2021, Mobile and Locomotive Crane or ANSI/AMSE B30.22-2016, Articulating Boom Crane, Workplace Hazardous Material Information System (WHMIS) and delivery agency policy.

Quality Assurance

Any assessor assessing against this competency standard must be an occupationally competent crane operator with Red Seal endorsement (in the case of Mobile Crane) and industrial experience; and have completed the assessor registration competency.

References

WorkSafeBC Occupational Health and Safety (OHS) regulations
The Hoisting and Rigging Safety Manual, Infrastructure Health and Safety Association of Ontario, 2009
CAN/CSA-Z150-20 Safety Code for Mobile Cranes,
ANSI Standard ANSI/ASME B30.5-2021, Mobile and Locomotive Crane or ANSI/AMSE B30.22-2016, Articulating Boom Crane,
Workplace Hazardous Material Information System (WHMIS),
and delivery agency policy

Task 1

Describe types of wire used in crane operation and their functions.

Performance standards

1.1 Types of wire rope, their characteristics, classifications and uses are described

Must include

1. Ordinary construction
2. Warrington construction
3. Seale construction
4. Filler construction

1.2 Interpret manufacturer's certificate of origin for wire rope

Task 2

Describe grades of chain and their uses in crane operations.

Performance Standards

2.1 Grades of chain and their uses are described

Must include

1. grade 8 for hoisting
2. grade 6 or 7 to tie down loads
3. grade 1000 – pending

2.2 Interpret manufacturer's certificate of origin and capacity tags on chains

Unit Standard CR 4.4 K

Rigging

Demonstrate knowledge of installation, inspection and storage of wire rope - core

Purpose

Demonstrate knowledge of inspection, installation and storage of wire rope for crane operation

Prerequisites

Unit Standard CR 4.1 K Demonstrate knowledge of lifting theory and forces

Unit Standard CR 4.2 K Demonstrate knowledge of rigging hardware, materials and tools

Unit Standard CR 4.3K Demonstrate knowledge of types and functions of wire rope and chains

Assessment

For assessment purposes, all explanations, descriptions, and activities must comply with current legislation, including WorkSafeBC regulations, and industry practice. CAN/CSA-Z150-20 Safety Code for Mobile Cranes, ANSI Standard ANSI/ASME B30.5-2021, Mobile and Locomotive Crane or ANSI/AMSE B30.22-2016, Articulating Boom Crane, Workplace Hazardous Material Information System (WHMIS) and delivery agency policy.

Quality Assurance

Any assessor assessing against this competency standard must be an occupationally competent crane operator with Red Seal endorsement (in the case of Mobile Crane) and industrial experience; and have completed the assessor registration competency.

References

WorkSafeBC Occupational Health and Safety (OHS) regulations

The Hoisting and Rigging Safety Manual, Infrastructure Health and Safety Association of Ontario, 2009

CAN/CSA-Z150-20 Safety Code for Mobile Cranes,

ANSI Standard ANSI/ASME B30.5-2021, Mobile and Locomotive Crane or ANSI/AMSE B30.22-2016, Articulating Boom Crane,

Workplace Hazardous Material Information System (WHMIS), and delivery agency policy

Task 1

Demonstrate knowledge of the process for inspection and replacement of wire ropes in accordance with manufacturer's recommendations

1.1 The inspection and examination procedure is described for wire rope defects

Must include

1. frayed wire rope

2. broken strands
 3. lubrication
 4. excessive wear
 5. bird caging
 6. kinking
 7. flattening
 8. proper spooling
 9. broken wires
- 1.2 The criteria to remove damaged or defective rope is explained according to WorkSafeBC regulations.
- 1.3 The process to remove damaged or defective wire rope is described according to manufacturer's guidelines.
- 1.4 The process to examine the drum to ensure proper installation is described.
- 1.5 The process to record and report the inspection defects and deficiencies is explained.

Must include

1. record inspection in logbook
2. record defects in logbook
3. report defects and deficiencies to job supervisor
4. report defects and deficiencies to crane supervisor

Task 2

Demonstrate knowledge of installing the new rope according to manufacturer's instructions.

- 2.1 New wire rope installation process is described according to manufacturer's requirements.

Must include

1. interpretation of manufacturer's certificate of origin/data plates.

- 2.2 Wire rope system components are identified.

Must include

1. rope guides
2. drums
3. blocks
4. hooks
5. sheaves
6. wedge and socket termination.

Task 3

Demonstrate knowledge of storing wire rope

Performance Standards

3.1 The criteria for storing wire rope are described according to manufacturer's requirements.

Task 4

Demonstrate knowledge of maintenance of wire ropes

Performance Standards

4.1 Criteria for lubricating wire rope are described

Must include

1. inspection of rope
2. identifying rope needing lubrication.

4.2 Procedures to perform maintenance on wire ropes are described as manufacturer dictates

Must include

1. cutting wire ropes
2. cleaning
3. lubrication.

4.3 Record wire rope maintenance in the log book within the regulated timeframe.

Unit Standard CR 4.5 K

Rigging

Demonstrate knowledge of rigging techniques – core

Purpose

Demonstrate knowledge of rigging techniques as they are applied in the workplace

Prerequisites

Unit Standard CR 4.1 K Demonstrate knowledge of lifting theory and forces

Unit Standard CR 4.2 K Demonstrate knowledge of rigging hardware, materials and tools

Unit Standard CR 4.3K Demonstrate knowledge of types and functions of wire rope and chains

Assessment

For assessment purposes, all explanations, descriptions, and activities must comply with current legislation, including WorkSafeBC regulations, and industry practice. CAN/CSA-Z150-20 Safety Code for Mobile Cranes, ANSI Standard ANSI/ASME B30.5-2021, Mobile and Locomotive Crane or ANSI/AMSE B30.22-2016, Articulating Boom Crane, Workplace Hazardous Material Information System (WHMIS) and delivery agency policy.

Quality Assurance

Any assessor assessing against this competency standard must be an occupationally competent crane operator with Red Seal endorsement (in the case of Mobile Crane) and industrial experience; and have completed the assessor registration competency.

References

WorkSafeBC Occupational Health and Safety (OHS) regulations

The Hoisting and Rigging Safety Manual, Infrastructure Health and Safety Association of Ontario, 2009

CAN/CSA-Z150-20 Safety Code for Mobile Cranes,

ANSI Standard ANSI/ASME B30.5-2021, Mobile and Locomotive Crane or ANSI/AMSE B30.22-2016, Articulating Boom Crane,

Workplace Hazardous Material Information System (WHMIS) and delivery agency policy

Task 1

Demonstrate knowledge to assemble appropriate rigging for a given load according to manufacturer's recommendations.

Performance standards

1.1 Appropriate slings and hardware are selected for a given load

Must include

1. determining load weight

2. calculating sling size
3. safe working load (SWL / WLL) of wire rope

1.2 Safe and efficient rigging procedures for a given lift are established

Must include

1. determining load weight
2. calculating sling size
3. safe working load (SWL / WLL) of wire rope.

1.3 Rigging is selected in a safe and efficient manner for a given lift

Must include

1. calculations done
2. safe working load (SWL / WLL) calculated
3. correct sling size.

1.4 Load and hardware characteristics are defined.

Must include

1. advantages and disadvantages of particular hardware
2. characteristics of hardware
3. characteristics of the load.

Unit Standard CR 4.6 W

Rigging

Use rigging hardware and tools in the workplace - core

Purpose

This unit standard allows the trainee to demonstrate the knowledge he has gained by performing rigging activities in the workplace

Prerequisites

Unit Standard CR 4.1 K Demonstrate knowledge of lifting theory and forces

Unit Standard CR 4.2 K Demonstrate knowledge of rigging hardware, materials and tools

Unit Standard CR 4.3K Demonstrate knowledge of types and functions of wire rope and chains

Unit Standard CR 4.4 K Demonstrate knowledge of installation, inspection and storage of wire ropes

Unit Standard CR 4.5 Demonstrate knowledge of rigging techniques

Assessment

For assessment purposes, all explanations, descriptions, and activities must comply with current legislation, including WorkSafeBC regulations, and industry practice. CAN/CSA-Z150-20 Safety Code for Mobile Cranes, ANSI Standard ANSI/ASME B30.5-2021, Mobile and Locomotive Crane or ANSI/AMSE B30.22-2016, Articulating Boom Crane, Workplace Hazardous Material Information System (WHMIS) and delivery agency policy.

Quality Assurance

Any assessor assessing against this competency standard must be an occupationally competent crane operator with Red Seal endorsement (in the case of Mobile Crane) and industrial experience; and have completed the assessor registration competency.

References

WorkSafeBC Occupational Health and Safety (OHS) regulations

The Hoisting and Rigging Safety Manual, Infrastructure Health and Safety Association of Ontario, 2009

CAN/CSA-Z150-20 Safety Code for Mobile Cranes,

ANSI Standard ANSI/ASME B30.5-2021, Mobile and Locomotive Crane or ANSI/AMSE B30.22-2016, Articulating Boom Crane,

Workplace Hazardous Material Information System (WHMIS) and delivery agency policy

Task 1

Assemble appropriate rigging for a given load according to manufacturer's recommendations.

Performance standards

- 1.1 Appropriate slings, chains, wire ropes and hardware are selected and installed for lifts: concrete equipment and tanks

Must include

1. measure load
2. calculate weight of load
3. calculate sling requirements
4. complete the appropriate rigging
5. wear protective equipment
6. signal correctly

Task 2

Inspect, maintain and store rigging hardware, wire ropes and chains in workplace operations.

Performance Standards

- 2.1 Rigging hardware, wire ropes and chains are inspected, maintained and stored according to company and manufacturer's specifications and company requirements

CORE PROGRAM OUTLINE

PROGRAM OUTLINE FOR SECTION 5 LOAD CHARTS

SECTION 5 – LOAD CHARTS

Unit Standard CLC 5.1 K

Load Charts

Demonstrate knowledge of determining weight of loads using fundamental math functions and calculations - core

Purpose

This unit provides the basis for determining weigh loads for given lifts by using fundamental math functions and calculations.

Note

A scientific calculator is required for this unit

Assessment

For assessment purposes, all explanations, descriptions, and activities must comply with current legislation, including WorkSafeBC regulations, and industry practice. CAN/CSA-Z150-20 Safety Code for Mobile Cranes, ANSI Standard ANSI/ASME B30.5-2021, Mobile and Locomotive Crane or ANSI/AMSE B30.22-2016, Articulating Boom Crane, Workplace Hazardous Material Information System (WHMIS) and delivery agency policy.

Quality Assurance

Any assessor assessing against this competency standard must be an occupationally competent crane operator with Red Seal endorsement (in the case of Mobile Crane) and industrial experience; and have completed the assessor registration competency.

References

WorkSafeBC Occupational Health and Safety (OHS) regulations
The Hoisting and Rigging Safety Manual, Infrastructure Health and Safety Association of Ontario, 2009
CAN/CSA-Z150-20 Safety Code for Mobile Cranes,
ANSI Standard ANSI/ASME B30.5-2021, Mobile and Locomotive Crane or ANSI/AMSE B30.22-2016, Articulating Boom Crane,
Workplace Hazardous Material Information System (WHMIS),
and delivery agency policy

Task 1

Demonstrate the functions of a scientific calculator to perform mathematical calculations.

Performance standards

1.1 Fundamental mathematical functions are performed.

Must include

1. rounding off
2. fractions
3. metric and imperial units of measure
4. circumference of a circle
5. perimeter of an object
6. surface area of an object
7. Sine of an angle
8. Pythagorean theorem

Task 2

Demonstrate knowledge of accurately calculating load

Performance Standards

2.1 Accurate load weights are determined

Must include

1. volume of an object
2. weight of a cubic unit of an object
3. bearing pressure on the load supporting surfaces
4. weight of materials
5. total weight of load.

Task 3

Demonstrate knowledge of crane documentation affecting loads

Performance Standards

3.1 Engineer's drawings and blueprints are interpreted accurately

Must include

1. capacity
2. boom configuration
3. load weight
4. rigging weight
5. calculations
6. radius of crane
7. positioning of crane
8. positioning of the load

3.2 Shipping company's bill of lading is compared to an estimated weight based on volume, LMI (Load Moment Indicator) and type of load to determine accuracy

3.3 Load capacity charts are interpreted accurately

Unit Standard CLC 5.2 K

Load Charts

Demonstrate knowledge of loading and lifting - core

Purpose

This unit provides the basis for proper loading and lifting.

Prerequisites

Unit Standard CR 4.1 K Demonstrate knowledge of lifting theory and forces

Unit Standard CR 4.2 K Demonstrate knowledge of rigging hardware, materials and tools

Unit Standard CR 4.3K Demonstrate knowledge of types and functions of wire rope and chains

Unit Standard CR 4.5 K Demonstrate knowledge of rigging techniques

Assessment

For assessment purposes, all explanations, descriptions, and activities must comply with current legislation, including WorkSafeBC regulations, and industry practice. CAN/CSA-Z150-20 Safety Code for Mobile Cranes, ANSI Standard ANSI/ASME B30.5-2021, Mobile and Locomotive Crane or ANSI/AMSE B30.22-2016, Articulating Boom Crane, Workplace Hazardous Material Information System (WHMIS) and delivery agency policy.

Quality Assurance

Any assessor assessing against this competency standard must be an occupationally competent crane operator with Red Seal endorsement (in the case of Mobile Crane) and industrial experience; and have completed the assessor registration competency.

References

WorkSafeBC Occupational Health and Safety (OHS) regulations

The Hoisting and Rigging Safety Manual, Infrastructure Health and Safety Association of Ontario, 2009

CAN/CSA-Z150-20 Safety Code for Mobile Cranes,

ANSI Standard ANSI/ASME B30.5-2021, Mobile and Locomotive Crane or ANSI/AMSE B30.22-2016, Articulating Boom Crane,

Workplace Hazardous Material Information System (WHMIS),
and delivery agency policy

Task 1

Demonstrate knowledge to determine sufficient lifting capacity of a crane considering the configuration and attachments required for the lift.

Performance standards

1.1 Fundamentals of leverage are reviewed

1.2 Optimum boom configurations are described

Must include

1. boom length
2. boom angle
3. radius
4. hook height
5. quadrant.

1.3 Configurations appropriate for lifting loads are selected

Must include

1. radius
2. parts of line
3. height of the combined load and rigging
4. weight of the combined load and rigging
5. boom length
6. boom jib combination
7. counterweight combination.

1.4 Configurations for the lifts for the crane are verified by the site supervisor and the crane supervisor

Must include

1. complete lift forms as required by company

1.5 Differences between gross load and gross capacity are described

1.6 Static and dynamic loading and lifting principles are explained

Task 2

Demonstrate knowledge of selection of rigging hardware to safely lift loads in accordance with manufacturer's recommendations

Performance Standards

2.1 Load configurations are accurately determined

Must include

1. calculations for rigging
2. calculations for loads
3. load chart accuracy

2.2 Load height, weight, length and width are verified with crane supervisor

Must include

1. calculations for rigging
2. calculations for loads
3. load chart accuracy

2.3 Centre of gravity for a load is accurately calculated

2.4 The safe working load (SWL / WLL) for wire rope and rigging hardware is accurately calculated and used

Must include

1. prevent overloading
2. prevent spooling

2.5 Criteria for selecting the appropriate hardware are described according to the manufacturer's requirements

Must include

1. weight
2. size of load

2.6 Criteria for selecting the appropriate safety devices are described.

Must include

1. shape
2. weight
3. sharp edges
4. round edges.

2.7 Loads on slings of equal and unequal length are accurately calculated

Must include

1. weight of load
2. centre of gravity
3. sling angles
4. dimension of the load.
 - i. height
 - ii. weight
 - iii. length.

Unit Standard CLC 5.3 W

Load Charts

Interpret load charts and load study drawings to configure crane for workplace operation - core

Purpose

This unit allows for the demonstration of correct crane configuration based on load charts and load study drawings

Prerequisites

Unit Standards CLC 5.1 K Demonstrate knowledge of determining weight loads using fundamental math functions and calculations

Unit Standard CLC 5.2 K Demonstrate knowledge of loading and lifting

Assessment

For assessment purposes, all explanations, descriptions, and activities must comply with current legislation, including WorkSafeBC regulations, and industry practice. CAN/CSA-Z150-20 Safety Code for Mobile Cranes, ANSI Standard ANSI/ASME B30.5-2021, Mobile and Locomotive Crane or ANSI/AMSE B30.22-2016, Articulating Boom Crane, Workplace Hazardous Material Information System (WHMIS) and delivery agency policy.

Quality Assurance

Any assessor assessing against this competency standard must be an occupationally competent crane operator with Red Seal endorsement (in the case of Mobile Crane) and industrial experience; and have completed the assessor registration competency.

References

WorkSafeBC Occupational Health and Safety (OHS) regulations

The Hoisting and Rigging Safety Manual, Infrastructure Health and Safety Association of Ontario, 2009

CAN/CSA-Z150-20 Safety Code for Mobile Cranes,

ANSI Standard ANSI/ASME B30.5-2021, Mobile and Locomotive Crane or ANSI/AMSE B30.22-2016, Articulating Boom Crane,

Workplace Hazardous Material Information System (WHMIS),
and delivery agency policy

Task 1

Configure crane appropriately after accurately interpreting load charts and lift plan drawings.

Performance standards

Boom Truck Operator Standard – Stiff Boom Unlimited Tonnage

- 1.1 Load charts are interpreted accurately
- 1.2 Load dimensions are verified by crane supervisor, crane operator (and engineer as required)
- 1.3 Centre of gravity is calculated
- 1.4 Special lift instructions are followed
- 1.5 Safe working loads (SWL / WLL) for wire rope and rigging are determined
- 1.6 Appropriate hardware and safety devices are selected
- 1.7 Load on the slings is considered for equal and unequal lengths

CORE PROGRAM OUTLINE

**PROGRAM OUTLINE
FOR
SECTION 8
CRANE OPERATIONS**

SECTION 8 – CRANE OPERATIONS

Unit Standard CCO 8.1 K

Crane Operations

Demonstrate knowledge of preoperational requirements in crane operations - core

Purpose

This unit provides the knowledge required to do a pre-operational inspection in accordance with manufacturer's recommendations

Prerequisites

All Unit Standards in Sections 1 through 7

Assessment

For assessment purposes, all explanations, descriptions, and activities must comply with current legislation, including WorkSafeBC regulations, and industry practice. CAN/CSA-Z150-20 Safety Code for Mobile Cranes, ANSI Standard ANSI/ASME B30.5-2021, Mobile and Locomotive Crane or ANSI/AMSE B30.22-2016, Articulating Boom Crane, Workplace Hazardous Material Information System (WHMIS) and delivery agency policy.

Quality Assurance

Any assessor assessing against this competency standard must be an occupationally competent crane operator with Red Seal endorsement (in the case of Mobile Crane) and industrial experience; and have completed the assessor registration competency.

References

WorkSafeBC Occupational Health and Safety (OHS) regulations
The Hoisting and Rigging Safety Manual, Infrastructure Health and Safety Association of Ontario, 2009
CAN/CSA-Z150-20 Safety Code for Mobile Cranes,
ANSI Standard ANSI/ASME B30.5-2021, Mobile and Locomotive Crane or ANSI/AMSE B30.22-2016, Articulating Boom Crane,
Workplace Hazardous Material Information System (WHMIS),
and delivery agency policy

Task 1

Demonstrate knowledge of the pre-operational inspection procedures recommended for a mobile crane, a Boom truck, a tower crane and a self erect crane.

Performance Standards

1.1 Inspection procedures are described accurately

Must include

1. operator aids for crane in place
2. inspection and erection reports are completed
3. OH & S requirements followed
4. locate control systems and system gauges
5. according to manufacturer's requirements

1.2 The place, location and verification of operator aids for the crane are described

Must include

1. the LMI
2. boom length indicator (assessment note for Tower Crane and Self Erect Crane)
3. boom angle indicator (see above 1.2 2)

1.3 The completion and filing of inspection and erection reports is described

Must include

1. crane logbook
2. lift plan

Task 2

Demonstrate knowledge of tests, repairs and maintenance required during the pre-operation inspection stage.

Performance Standards

2.1 Function tests on hoist systems are described

Must include

1. boom up
2. boom down (assessment note for Tower Crane and Self Erect Crane)
3. hoist up
4. hoist down
5. swing left
6. swing right
7. scope in (assessment note for Tower and Self Erect)
8. scope out
9. brakes

- 2.2 Repairs and maintenance prior to operation are described according to manufacturer's requirements and they are entered in the crane logbook

Task 3

Demonstrate knowledge of reports and records required for reporting deficiencies or defects.

Performance Standard

- 3.1 The process of defects and deficiencies being accurately reported to the supervisor and properly documented in the crane log book is described

Must include

1. date
2. description of issue
3. signature of person doing the repairs
4. signature of the operator
5. legal requirements entries must meet WorkSafeBC regulations, corporate standards, and any other applicable regulatory agencies codes, laws and guidelines.

- 3.2 The process to ensure repairs and maintenance are recorded in the appropriate crane log book is described

Must include

1. date
2. description
3. signature of repair person

Task 4

Demonstrate knowledge of the setup procedures for a mobile cranes/ boom trucks (assessment note for Tower Crane and Self Erect)

Performance Standards

- 4.1 Setup procedures are accurately explained according to manufacturer's specifications
- 4.2 Overhead obstructions and underground hazards are described.

Must include

1. power cables

Boom Truck Operator Standard – Stiff Boom Unlimited Tonnage

2. trees
 3. underground sewers
 4. underground water
 5. underground building structures
- 4.3 The requirements for blocking and mats to be sufficient considering the load requirements and surface conditions to level the crane is described
- 4.4 Programming and adjusting safety devices to ensure accuracy and safety while lifting

Must include

1. LMI Load moment indicator
2. anti two block systems, high speed limits and max. height limits
3. boom angle indicators
4. level

Unit Standard CCO 8.4 W

Crane Operations

Demonstrate safe crane set up according to manufacturer's instructions – core (Note: Task 4 applies only to mobile cranes)

Purpose

This unit demonstrates a pre-operational inspection of a crane prior to use in accordance with manufacturer's recommendations

Prerequisites

All Knowledge Units in Sections 1 through 7.

Unit Standard CCO 8.1 K Demonstrate knowledge of pre-operational requirements in crane operations

Unit Standard CCO 8.2 K Demonstrate knowledge of crane operations to pick up and carry loads

Unit Standard CCO 8.3 K Demonstrate knowledge to leave a crane unattended

Assessment

For assessment purposes, all explanations, descriptions, and activities must comply with current legislation, including WorkSafeBC regulations, and industry practice. CAN/CSA-Z150-20 Safety Code for Mobile Cranes, ANSI Standard ANSI/ASME B30.5-2021, Mobile and Locomotive Crane or ANSI/AMSE B30.22-2016, Articulating Boom Crane, Workplace Hazardous Material Information System (WHMIS) and delivery agency policy.

Quality Assurance

Any assessor assessing against this competency standard must be an occupationally competent crane operator with Red Seal endorsement (in the case of Mobile Crane) and industrial experience; and have completed the assessor registration competency.

References

WorkSafeBC Occupational Health and Safety (OHS) regulations

The Hoisting and Rigging Safety Manual, Infrastructure Health and Safety Association of Ontario, 2009

CAN/CSA-Z150-20 Safety Code for Mobile Cranes,

ANSI Standard ANSI/ASME B30.5-2021, Mobile and Locomotive Crane or ANSI/AMSE B30.22-2016, Articulating Boom Crane,

Workplace Hazardous Material Information System (WHMIS) and delivery agency policy

Task 1

Conduct pre-operational inspections as recommended for a mobile crane, a Boom truck, a tower crane and a self erect crane

Performance Standards

1.1 Inspection procedures are accurately followed

Must include

1. operators aids for crane in place
2. inspection and erection reports are completed
3. OH & S requirements followed
4. control systems and system gauges are located
5. manufacturer's requirements

1.2 Operator aids for the crane are in place, located and verified

Must include

1. the LMI
2. boom length indicator
3. boom angle indicator

1.3 All inspection and erection reports are accurately completed and appropriately filed

Must include

1. crane logbook
2. lift plan

Task 2

Perform tests, repairs and maintenance required during the pre-operation inspection stage.

Performance Standards

2.1 Perform function tests on hoist systems

Must include

1. boom up
2. boom down
3. hoist up
4. hoist down
5. swing left
6. swing right
7. scope in
8. scope out

9. brakes

- 2.2 Perform repairs and maintenance prior to operation according to manufacturer's requirements and they are entered in the crane logbook

Task 3

Complete reports and records required for reporting deficiencies or defects.

Performance Standard

- 3.1 Defects and deficiencies are accurately reported to the supervisor and properly documented in the crane log book

Must include

1. date
2. description of issue
3. signature of person doing the repairs
4. signature of the operator

- 3.2 Repairs and maintenance are recorded in the appropriate crane log book

Must include

1. date
2. description of issue
3. signature of person doing the repairs

Task 4 is part of the Advanced Program - Mobile 80 tonnes and under.

CORE PROGRAM OUTLINE

**PROGRAM OUTLINE
FOR
SECTION 9
MAINTENANCE & SERVICE**

SECTION 9 – MAINTENANCE & SERVICE

Unit Standard CMS 9.1 W

Maintenance & Service

Maintain an equipment logbook to retain a permanent written record of maintenance and repairs

Purpose

This unit provides the correct use of and input to an equipment logbook for cranes.

Assessment

For assessment purposes, all explanations, descriptions, and activities must comply with current legislation, including WorkSafeBC regulations and industry practice. CAN/CSA-Z150-20 Safety Code for Mobile Cranes, ANSI Standard ANSI/ASME B30.5-2021, Mobile and Locomotive Crane or ANSI/ASME B30.22-2016, Articulating Boom Crane, Workplace Hazardous Material Information System (WHMIS) and Delivery Agency policy.

Quality Assurance

Any assessor assessing against this competency standard must be an occupationally competent crane operator with Red Seal endorsement (in the case of Mobile Crane) and industrial experience; and have completed the assessor registration competency.

References

WorkSafeBC Occupational Health and Safety (OHS) regulations
The Hoisting and Rigging Safety Manual, Infrastructure Health and Safety Association of Ontario, 2009
CAN/CSA-Z150-20 Safety Code for Mobile Cranes,
ANSI Standard ANSI/ASME B 30.5-2021, Mobile and Locomotive Crane or
ANSI/ASME B30.22-2016, Articulating Boom Crane,
Workplace Hazardous Material Information System WHMIS and delivery Agency policy

Task 1

Record all inspections and maintenance in an equipment log book

Performance Standards

- 1.1 All entries are legible and easily understood
- 1.2 All entries are complete and accurate
- 1.3 All inspections are accurately recorded when inspection is completed

- 1.4 All requests for the external supply of maintenance are accurately recorded within
- 1.5 All maintenance performed is accurately recorded when it is completed

Task 2

Report all inspections, defects, deficiencies, and maintenance to the crane supervisor and site supervisor

Performance Standards

- 2.1 Communication is clear and understood
- 2.2 Reports are made at the time of the inspection, request or maintenance.

CORE PROGRAM OUTLINE

SECTION 3 TRAINING PROVIDER STANDARDS

TRAINING PROVIDER STANDARDS

The Crane Core Program is a Competency Based Program of Instruction. This means that the Program Outline defines the Outcomes expected of training, not the inputs, which include time.

By their nature cranes require a one-to-one ratio of student-to-crane to develop the required competence. Industry believes a crane operator becomes competent through building on his or her theoretical knowledge with real world experience.

This program is divided into theoretical and practical components.

The theoretical component is made up of the Knowledge Units, which:

- can be taught in a classroom setting by a qualified instructor (see below)
- delivered on line
- learned through self study on line or through printed materials

The practical component is made up of the Workplace Units, which:

- require hands on experience
- are assessed on the job by a Registered Workplace Assessor
- may be begun in a simulated setting such as a training yard, but are assessed for credit in the workplace

The industry is interested in the outcome of training and is looking for creative responses from the crane training community on how to best deliver training to these standards in a time efficient and cost effective manner. Industry has purposely not set minimum equipment requirements for this reason.

Past training experience in this area has shown consistent training outcomes to these standards in a wide range of times and with a variable mix of on seat equipment time vs. theory instruction time.

With these competence standards industry now has a vehicle for structuring on the job training and wishes to see trainers take advantage of the opportunity on the job training represents. For example, some ideas industry has discussed as options include:

1. Support learners on the job by bringing the trainer to the job site. Crane purchase or rental is not required by the trainer and the learner receives targeted instruction.
2. Deliver instruction in the evenings or on weekends to complement the learner's on the job experience.
3. Deliver targeted theory and practical instruction precisely geared to the standards in this outline – which will ideally guarantee a highly skilled individual to the employer who can demonstrate workplace competence in short order.

Instructor Qualification:

For technical training, instructors must be occupationally competent to run the crane type they are training to, and hold a full scope certificate for the crane type they are training to.

Minimum List of Shop/Laboratory Equipment Required for Crane Common Core

Industry wishes to state no minimum requirement in the interest of permitting training providers maximum flexibility in the options and strategies they may employ in training to these standards, in the case of Knowledge Units, and supporting development of workplace performance in the case of Workplace Units.

BC CRANE OPERATOR PROGRAM OVERVIEW

Section 14.34.1 of the OHS Regulation states: On and after July 1, 2007, a mobile crane, tower crane or boom-truck must be operated only

- a) by a person with a valid operator's certificate issued by a person acceptable to the Board, and
- b) in accordance with any conditions stipulated on the certificate by the issuing person.

Section 14.34.1 applies to operators of all mobile cranes, boom trucks, and tower cranes with a rated capacity greater than five tonnes or with a boom length greater than 8 metres.

Operator Certification/Qualification for Crane Operators in BC may be obtained to operate each of the following types of cranes:

Mobile Cranes

1. Hydraulic Mobile Crane 20 tonnes and under
2. Hydraulic Mobile Crane 80 tonnes and under
3. Mobile unlimited tonnage (Mobile Crane as per 2017 Harmonization)
4. Mobile Lattice Friction (Mobile Crane as per 2017 Harmonization)
5. Mobile Lattice Hydraulic (Mobile Crane as per 2017 Harmonization)

Boom Trucks

1. Folding Boom 10 tonnes and under
2. Folding Boom 22 tonnes and under
3. Folding Boom unlimited tonnage
4. Stiff Boom 20 tonnes and under
5. Stiff Boom 40 tonnes and under
6. Stiff Boom unlimited tonnage

Tower Cranes

1. Tower Crane
2. Self-Erect Tower Crane

Operator certification is granted for each crane type. A candidate may choose to undertake certification in one or two crane types only or in all crane types. Each crane type requires a course of study, on-job training and the successful completion the operator assessments for that crane type. Certification is granted according to the BC Association for Crane Safety (BCACS) Levels.

The BCACS Levels ¹

Provisional Operator means a person who has passed the theory assessment and is certified to make routine lifts with a minimum of indirect supervision. but will require hands-on, direct supervision for all first time significant lifts and all critical lifts. These lifts will be clearly documented by both the operator and the employer. Theory assessments for existing operators who choose to obtain provisional certification will be conducted by the employer. New operators will be required to pass a formal written assessment. Provisional certification is valid for one year and can be renewed up to three times. A provisional certificate will specify what type of crane the operator may operate and their employer. The Provisional Certificate is only valid while working for the identified employer on the certificate. If the operator changes employers, they must submit a change of employer form.

Full Scope Operator means a person who has passed both the theory and practical assessments conducted by a third-party assessor for a specific crane type. A Full-Scope Certificate will specify what type of crane the operator may operate. This certificate means that the operator is competent to safely perform all crane lifts within the scope of the identified crane type and size. The employer is not identified on this certificate.

Assessors

Third Party Assessor means a person recognized by the BCACS to perform practical assessments. This person must be dedicated to assessing only and not be a trainer of crane operators or otherwise be in any other potential conflict of interest.

Theory Assessment means an assessment administered by the BCACS, conducted on either paper, computer, verbal or other means. These assessments will be delivered through SkilledTradesBC (formerly the Industry Training Authority) and administered by the BCACS.

Practical Assessment means an assessment conducted by a third party assessor approved by the BCACS. The assessment involves spoken questions, as well as the operator using the crane to show that they have the basic knowledge, skills and ability to safely operate the crane. The operator is then considered to be **competent** (having the right skills and knowledge to operate the crane) and will receive written proof. If the operator is found **not yet competent** after performing the practical assessment they would be allowed to continue operating with a Provisional Certificate as decided by the third party assessor. An action plan and a follow-up date will be set following the completion of the assessment. The operator will be informed of this date both verbally and in writing.

The Steps to Qualification

To become a certified crane operator in British Columbia candidates may follow one of two options:

1. Experienced operators who are not yet certified, must challenge the certification process. Some classifications require one to three theory exams before the practical assessment can

¹ From <http://www.bcacs.ca/levels.html>

be attempted. Other classifications require only the practical assessment. Operators who are certified in another jurisdiction must apply to BCACS to have their credentials recognized in British Columbia.

2. New crane operators must apply, with their employer, for a provisional certificate and work under supervision until they have met the competency and hour requirements.

Each course of study and on-job training includes:

1. A mandatory common core program for all crane types.
2. Advanced units of study in each of the individual crane types that build on the common core.

This program is divided into theoretical and practical components.

The theoretical component is made up of the Knowledge Units, which:

- may be taught in a classroom setting by a qualified instructor,
- delivered on line, or
- learned through self study on line or through printed materials

The practical component is made up of the Workplace Units, which:

- require hands on experience
- are assessed on the job by a Registered Workplace Assessor
- may be begun in a simulated setting such as a training yard, but are assessed for credit in the workplace

RECOMMENDED REFERENCE TEXTBOOKS

From the Construction Safety Association of Ontario <http://www.csa.org/>

Mobile Crane Manual

by Donald E. Dickie, P. Eng., D. H. Campbell, P. Eng.

Construction Safety Association of Ontario ISBN 0-8273-6527-6

Rigging Manual

by Donald E. Dickie, P. Eng.

Construction Safety Association of Ontario ISBN 0-7726-1574-8

Hoisting and Rigging Safety Manual

Construction Safety Association of Ontario ISBN 0-919465-70-6

Slings

Construction Safety Association of Ontario ISBN 0-919465-76-5

Safety in Rigging Video/DVD Series

The complete set of 10 *Safety in Rigging* DVDs (FD001-FD010), complete with instructor's notes. Includes:

1. Cranes: Types, Components and Case Histories (FD001)
2. Hazard Awareness in Crane Operating Areas (FD002)
3. International Hand Signals (FD003)
4. Wire Rope (FD004)
5. Hardware (FD005)
6. Chain (FD006)
7. Slings (FD007)
8. Reeving (FD008)
9. Hoists, Winches and Related Devices (FD009)
10. Jacks, Rollers and Related Devices (FD010)

Cranes: Types, Components and Case Histories Video/DVD (set of 10)

From the Operating Engineers Training Institute of Ontario <http://www.oetio.com>

Mobile Craning Today

Operating Engineers Training Institute of Ontario ISBN 0-8273-5460-6

Additional Resources

IPT's Crane and Rigging Handbook

by Ronald G. Garby ISBN 0-920855-14-8

IPT's Crane and Rigging Training Manual

By Ronald G. Garby ISBN 0-920855-16-4

Reference Authority

(to be developed when revised OSH regulations released in Summer 07)

1. WorkSafeBC Occupational Health and Safety (OHS) regulations
2. WorkSafe BC Occupational First Aid Requirements
3. CAN/CSA-Z150-20 Safety Code for Mobile Cranes,
4. ANSI Standard ANSI/ASME B30.5-2021, Mobile and Locomotive Crane or ANSI/AMSE B30.22-2016, Articulating Boom Crane,
5. ANSI Standard ANSI/SIA A92.2-2001 American National Standard Vehicle-Mounted Elevating and Rotating Aerial Devices

BOOM TRUCK OPERATOR STIFF BOOM UNLIMITED TONNAGE

**PROGRAM OUTLINE
FOR
SECTION 3
CRANES**

SECTION 3 – CRANES

Unit Standard AC 3.11 K

Cranes

Demonstrate knowledge of crane components and attachments for boom trucks with folding booms (unlimited tonnage)

Purpose

Demonstrate knowledge of folding boom crane components and attachments

Assessment

For assessment purposes, all explanations, descriptions, and activities must comply with current legislation, including WorkSafeBC regulations, and industry practices:

CAN/CSA-Z150-20 Safety Code for Mobile Cranes,

Z150.3 Knuckle-boom Cranes – (New Standard under development)

ANSI Standard ANSI/ASME B30.5-2021, Mobile and Locomotive Crane or ANSI/AMSE B30.22-2016, Articulating Boom Crane

Workplace Hazardous Material Information System (WHMIS) and delivery agency policy.

Quality Assurance

Any assessor assessing against this competency standard must be an occupationally competent Boom Truck mounted crane operator with industrial experience; and have completed the assessor registration competency.

References

WorkSafeBC Occupational Health and Safety (OHS) regulations

The Hoisting and Rigging Safety Manual, Infrastructure Health and Safety Association of Ontario, 2009

CSA Standard Z150-20 Safety Code for Mobile Cranes,

ANSI Standard ANSI/ASME B30.5-2021, Mobile and Locomotive Crane or ANSI/AMSE B30.22-2016, Articulating Boom Crane,

Workplace Hazardous Material Information System (WHMIS), and delivery agency policy

Task 1

Demonstrate knowledge of carriers and undercarriages.

Performance standards

1.1 The purpose of truck and undercarriage components are identified and explained

Must include

1. suspensions
2. wheels
3. tires

4. travel chains
5. hydraulic motors

1.2 Defects and malfunctions that can occur on the truck and undercarriage are described

Must include

1. cracked frame
2. cracked welds
3. broken drive line shafts
4. damaged wheels
5. damaged differentials
6. tires

Task 2

Demonstrate knowledge of outrigger and stabilizing equipment

2.1 The functions of outrigger and stabilizing equipment are identified and explained

Must include

1. outrigger beams
2. outrigger jacks
3. outrigger pads
4. retaining pins
5. hydraulic hoses

Task 3

Demonstrate knowledge of the turntable on a variety of cranes

3.1 Components of a turntable and turret

Must include

1. bearing
2. bolts

3.2 The function of turntable components are identified and explained

Must include

1. bearing
2. bolts

3.3 Defects and malfunctions of the turntable or turret components are described

Must include

1. loose bolts
2. structural cracks
3. distortions to the turntable or turret

4. damage to the turntable or turret

Task 4

Demonstrate knowledge of crane safety components, devices and aids

- 4.1 The safety component devices and aids and their functions for boom trucks are described

Must include

1. safety guards
2. covers
3. Load Moment Indicator (LMI)
4. anti-two block devices (when hoist is installed)
boom length indicators
5. boom angle indicator

- 4.2 On-board crane operator aids and their functions are introduced and briefly described

Must include

1. load charts
2. operators' manuals
3. operator log book

- 4.3 Programming the Load Moment Indicator is explained

- 4.4 Defects or malfunctions of safety devices, components and aids are described.

Must include

1. safety guards
2. covers
3. Load Moment Indicator (LMI)
4. anti-two block devices (when hoist is installed)
5. boom length indicators
6. boom angle indicator.

- 4.6 Actions to take when safety devices malfunction are explained

Must include

1. report to job supervisor
2. report to crane or equipment supervisor
3. enter in logbook
4. stop or continue with appropriate precautions depending on seriousness.

Unit Standard AC 3.12 K

Cranes

Demonstrate knowledge of engines and ancillary systems on boom trucks with folding booms (unlimited tonnage)

Purpose

Demonstrate knowledge of crane engines and ancillary systems

Prerequisite

Core Unit Standards CC 3.1 K, CC 3.2 K, CC 3.3 K and CC 3.4 K

Unit Standard AC 3.11 K Demonstrate knowledge of crane components and attachments for boom trucks with folding booms (unlimited tonnage)

Assessment

For assessment purposes, all explanations, descriptions, and activities must comply with current legislation, including WorkSafeBC regulations, and industry practices:

CAN/CSA-Z150-20 Safety Code on Mobile Cranes,

Z150.3 Knuckle-boom Cranes – (New Standard under development)

ANSI Standard ANSI/ASME B30.5-2021, Mobile and Locomotive Crane or ANSI/AMSE B30.22-2016, Articulating Boom Crane

Workplace Hazardous Material Information System (WHMIS) and delivery agency policy.

Quality Assurance

Any assessor assessing against this competency standard must be an occupationally competent Boom Truck mounted crane operator with industrial experience; and have completed the assessor registration competency.

References

WorkSafeBC Occupational Health and Safety (OHS) regulations

The Hoisting and Rigging Safety Manual, Infrastructure Health and Safety Association of Ontario, 2009

CSA Standard Z150-98(R2004) Safety Code for Mobile Cranes,

ANSI Standard ANSI/ASME B30.5-2021, Mobile and Locomotive Crane or ANSI/AMSE B30.22-2016, Articulating Boom Crane,

Workplace Hazardous Material Information System (WHMIS), and company policy

Task 1

Demonstrate knowledge of crane engines on boom trucks.

Performance standards

1.1 The components of electrical, diesel and gas power plants are listed and their functions

described

Must include

1. block
2. piston
3. connecting rod
4. camshaft
5. fuel injectors
6. fuel pumps
7. limit switches.

1.2 Defects or malfunctions of power plants are described for components

Must include

1. block
2. piston
3. connecting rod
4. camshaft
5. fuel injectors
6. fuel pumps
7. limit switches.

Task 2

Demonstrate knowledge of crane drive systems for boom trucks.

Performance standards

2.1 The components of the drive system are explained and their functions described

Must include

1. clutch
2. transmission
3. differentials
4. power take-offs
5. hydraulic motors

2.2 Defects or malfunctions of drive system components are described

Must include

1. clutch
2. transmission
3. differentials
4. power take-offs
5. hydraulic motors

Unit Standard AC 3.13 K

Cranes

Demonstrate knowledge of power transfer for boom trucks with folding booms (unlimited tonnage)

Purpose

Demonstrate knowledge of power transfer including pneumatic, hydraulic, electrical, steering and braking.

Prerequisite

Core Unit Standards CC 3.1 K, CC 3.2 K, CC 3.3 K and CC 3.4 K

Unit Standard AC 3.11 K Demonstrate knowledge of crane components and attachments for boom trucks with folding booms (unlimited tonnage)

Unit Standard AC 3.12 K Demonstrate knowledge of engines and ancillary systems for boom trucks with folding booms (unlimited tonnage)

Assessment

For assessment purposes, all explanations, descriptions, and activities must comply with current legislation, including WorkSafeBC regulations, and industry practices:

CAN/CSA-Z150-20 Safety Code on Mobile Cranes,

Z150.3 Knuckle-boom Cranes – (New Standard under development)

ANSI Standard ANSI/ASME B30.5-2021, Mobile and Locomotive Crane or ANSI/AMSE B30.22-2016, Articulating Boom Crane

Workplace Hazardous Material Information System (WHMIS) and delivery agency policy.

Quality Assurance

Any assessor assessing against this competency standard must be an occupationally competent Boom Truck mounted crane operator with industrial experience; and have completed the assessor registration competency.

References

WorkSafeBC Occupational Health and Safety (OHS) regulations

The Hoisting and Rigging Safety Manual, Infrastructure Health and Safety Association of Ontario, 2009

CSA Standard Z150-20 Safety Code for Mobile Cranes,

ANSI Standard ANSI/ASME B30.5-2021, Mobile and Locomotive Crane or ANSI/AMSE B30.22-2016, Articulating Boom Crane,

Workplace Hazardous Material Information System (WHMIS), and delivery agency policy

Task 1

Demonstrate knowledge of pneumatic systems in crane operations.

Performance standards

1.1 Components of pneumatic systems are described and their functions explained

Must include

1. air brakes
2. horn
3. seats
4. air control levers.

1.2 Defects or malfunctions of pneumatic systems are described

Must include

1. air brakes
2. horn
3. seats
4. air control levers.

Task 2

Demonstrate knowledge of hydraulic systems in crane operations.

Performance standards

2.1 Components of hydraulic systems are described and their functions explained

Must include

1. hydraulic fluid
2. filters
3. lines
4. pumps
5. motors
6. fittings
7. hydraulic control levers.

2.2 Defects or malfunctions of pneumatic systems are described .

Must include

1. hydraulic fluid
2. filters
3. lines
4. pumps
5. motors
6. fittings
7. hydraulic control levers.

Task 3

Demonstrate knowledge of electrical systems in boom crane operations.

Performance standards

3.1 Components of electrical systems are described and their functions explained

Must include

1. alternator
2. starter
3. regulator
4. wiring
5. fuses
6. generator
7. limit switches

3.2 Defects or malfunctions of electrical systems are described .

Must include

1. alternator
2. starter
3. regulator
4. wiring
5. fuses
6. generator
7. limit switches.

Task 4

Demonstrate knowledge of steering system components in boom crane operations.

Performance standards

4.1 Components of steering systems are described and their functions explained

Must include

1. axles
2. tie rods
3. steering box
4. sliding jaw clutch
5. ball joints
6. walking beam

4.2 Defects or malfunctions of steering systems are described

Must include

1. axles
2. tie rods
3. steering box
4. sliding jaw clutch
5. ball joints
6. walking beam

Task 5

Demonstrate knowledge of travel braking systems in boom crane operations.

Performance standards

- 5.1 Components of the braking systems are described and their functions explained

Must include

1. air compressor
2. brake chambers
3. drums
4. brake bands
5. slack adjusters

- 5.2 Defects or malfunctions of braking systems are described

Must include

1. air compressors
2. brake chambers
3. drums
4. brake bands
5. slack adjusters

Unit Standard AC 3.17 K

Cranes

Demonstrate knowledge of crane components and attachments for boom trucks with Stiff booms (unlimited tonnage)

Purpose

Demonstrate knowledge of stiff boom crane components and attachments

Assessment

For assessment purposes, all explanations, descriptions, and activities must comply with current legislation, including WorkSafeBC regulations, and industry practices:

CAN/CSA-Z150-20 Safety Code for Mobile Cranes,

Z150.3 Knuckle-boom Cranes – (New Standard under development)

ANSI Standard ANSI/ASME B30.5-2021, Mobile and Locomotive Crane or ANSI/AMSE B30.22-2016, Articulating Boom Crane

Workplace Hazardous Material Information System (WHMIS) and delivery agency policy.

Quality Assurance

Any assessor assessing against this competency standard must be an occupationally competent Boom Truck mounted crane operator with industrial experience; and have completed the assessor registration competency.

References

WorkSafeBC Occupational Health and Safety (OHS) regulations

The Hoisting and Rigging Safety Manual, Infrastructure Health and Safety Association of Ontario, 2009

CAN/CSA-Z150-20 Safety Code for Mobile Cranes,

ANSI Standard ANSI/ASME B30.5-2021, Mobile and Locomotive Crane or ANSI/AMSE B30.22-2016, Articulating Boom Crane,

Workplace Hazardous Material Information System (WHMIS) and delivery agency policy

Task 1

Demonstrate knowledge of carriers and undercarriages.

Performance standards

1.1 The purpose of truck and undercarriage components are identified and explained

Must include

1. suspensions
2. wheels
3. tires
4. travel chains

5. hydraulic motors

1.2 Defects and malfunctions that can occur on the truck and undercarriage are described

Must include

1. cracked frame
2. cracked welds
3. broken drive line shafts
4. damaged wheels
5. damaged differentials
6. tires

Task 2

Demonstrate knowledge of outrigger and stabilizing equipment

2.1 The functions of outrigger and stabilizing equipment are identified and explained

Must include

1. outrigger beams
2. outrigger jacks
3. outrigger pads
4. retaining pins
5. hydraulic hoses

Task 3

Demonstrate knowledge of the turntable and turret on a variety of boom trucks

3.1 Components of a turntable and turret

Must include

1. bearing
2. bolts

3.2 The function of turntable/ turret components are identified and explained

Must include

1. bearing
2. bolts

3.3 Defects and malfunctions of the turntable / turret components are described

Must include

1. loose bolts
2. structural cracks
3. distortions to the turntable and turret

4. damage to the turntable and turret

Task 4

Demonstrate knowledge of attachments for boom trucks with stiff booms

- 4.1 Attachments for boom trucks are listed.

Must include

1. boom extensions
2. jibs
3. elevated work platforms (e.g. personnel basket)

- 4.2 Functions for attachments are identified and explained

Must include

1. boom extensions
2. jibs
3. elevated work platforms (e.g. personnel basket)

- 4.3 Defects or malfunctions of an attachment are explained

Must include

1. boom extensions
- 2.
3. jibs

Task 5

Demonstrate knowledge of crane safety components, devices and aids for boom trucks.

- 5.1 The safety component devices and aids and their functions for boom trucks are described

Must include

1. safety guards
2. covers
3. Load Moment Indicator (LMI)
4. anti-two block devices
5. boom length indicators
6. boom angle indicator

- 5.2 On-board crane operator aids and their functions are introduced and briefly described

Must include

1. load charts
2. operators' manuals
3. operator log book

5.3 Programming the Load Moment Indicator is explained

5.4 Defects or malfunctions of safety devices, components and aids are described.

Must include

1. safety guards
2. covers
3. Load Moment Indicator (LMI)
4. anti-two block devices
5. boom length indicators
6. boom angle indicator.

5.6 Actions to take when safety devices malfunction are explained

Must include

1. report to job supervisor
2. report to crane or equipment supervisor
3. enter in logbook
4. stop or continue with appropriate precautions depending on seriousness.

Unit Standard AC 3.18 K

Cranes

Demonstrate knowledge of engines and ancillary systems on boom trucks with stiff booms (unlimited tonnage)

Purpose

Demonstrate knowledge of boom truck engines and ancillary systems

Prerequisite

Core Unit Standards CC 3.1 K, CC 3.2 K, CC 3.3 K and CC 3.4 K

Unit Standard AC 3.17 K Demonstrate knowledge of crane components and attachments for boom trucks with stiff booms (unlimited tonnage)

Assessment

For assessment purposes, all explanations, descriptions, and activities must comply with current legislation, including WorkSafeBC regulations, and industry practices:

CAN/CSA-Z150-20 Safety Code on Mobile Cranes,

Z150.3 Knuckle-boom Cranes – (New Standard under development)

ANSI Standard ANSI/ASME B30.5-2021, Mobile and Locomotive Crane or ANSI/AMSE B30.22-2016, Articulating Boom Crane

Workplace Hazardous Material Information System (WHMIS) and delivery agency policy.

Quality Assurance

Any assessor assessing against this competency standard must be an occupationally competent Boom Truck mounted crane operator with industrial experience; and have completed the assessor registration competency.

References

WorkSafeBC Occupational Health and Safety (OHS) regulations

The Hoisting and Rigging Safety Manual, Infrastructure Health and Safety Association of Ontario, 2009

CAN/CSA-Z150-20 Safety Code for Mobile Cranes,

ANSI Standard ANSI/ASME B30.5-2021, Mobile and Locomotive Crane or ANSI/AMSE B30.22-2016, Articulating Boom Crane,

Workplace Hazardous Material Information System (WHMIS) and delivery agency policy

Task 1

Demonstrate knowledge of drive engines on boom trucks.

Performance standards

1.1 The components of diesel and gas power plants are listed and their functions described

Must include

1. block
2. piston
3. connecting rod
4. camshaft
5. fuel injectors
6. fuel pumps
7. limit switches.

1.2 Defects or malfunctions of boom truck power plants are described for components

Must include

1. block
2. piston
3. connecting rod
4. camshaft
5. fuel injectors
6. fuel pumps
7. limit switches.

Task 2

Demonstrate knowledge of crane drive systems for boom trucks.

Performance standards

2.1 The components of the drive system are explained and their functions described

Must include

1. clutch
2. transmission
3. differentials
4. power take-offs
5. hydraulic motors

2.2 Defects or malfunctions of drive system components are described

Must include

1. clutch
2. transmission
3. differentials
4. power take-offs
5. hydraulic motors

Unit Standard AC 3.19 K

Cranes

Demonstrate knowledge of power transfer for boom trucks with stiff booms (unlimited tonnage)

Purpose

Demonstrate knowledge of power transfer including pneumatic, hydraulic, electrical, steering and braking.

Prerequisite

Core Unit Standards CC 3.1 K, CC 3.2 K, CC 3.3 K and CC 3.4 K

Unit Standard AC 3.17 K Demonstrate knowledge of crane components and attachments for boom trucks with stiff booms (unlimited tonnage)

Unit Standard AC 3.18 K Demonstrate knowledge of engines and ancillary systems for boom trucks with stiff booms (unlimited tonnage)

Assessment

For assessment purposes, all explanations, descriptions, and activities must comply with current legislation, including WorkSafeBC regulations, and industry practices:

CAN/CSA-Z150-20 Safety Code on Mobile Cranes,

Z150.3 Knuckle-boom Cranes – (New Standard under development)

ANSI Standard ANSI/ASME B30.5-2021, Mobile and Locomotive Crane or ANSI/AMSE B30.22-2016, Articulating Boom Crane

Workplace Hazardous Material Information System (WHMIS) and delivery agency policy.

Quality Assurance

Any assessor assessing against this competency standard must be an occupationally competent Boom Truck mounted crane operator with industrial experience; and have completed the assessor registration competency.

References

WorkSafeBC Occupational Health and Safety (OHS) regulations

The Hoisting and Rigging Safety Manual, Infrastructure Health and Safety Association of Ontario, 2009

CAN/CSA-Z150-20 Safety Code for Mobile Cranes,

ANSI Standard ANSI/ASME B30.5-2021, Mobile and Locomotive Crane or ANSI/AMSE B30.22-2016, Articulating Boom Crane,

Workplace Hazardous Material Information System (WHMIS) and delivery agency policy

Task 1

Demonstrate knowledge of pneumatic systems in boom truck operations.

Performance standards

1.1 Components of pneumatic systems are described and their functions explained

Must include

1. air brakes
2. horn
3. seats
4. boom locks
5. boom pawls
6. air control levers.

1.2 Defects or malfunctions of pneumatic systems are described

Must include

1. air brakes
2. horn
3. seats
4. boom locks
5. boom pawls
6. air control levers.

Task 2

Demonstrate knowledge of hydraulic systems in boom truck operations.

Performance standards

2.1 Components of hydraulic systems are described and their functions explained

Must include

1. hydraulic fluid
2. filters
3. lines
4. pumps
5. motors
6. fittings
7. hydraulic control levers.

2.2 Defects or malfunctions of pneumatic systems are described.

Must include

1. hydraulic fluid
2. filters
3. lines
4. pumps
5. motors

6. fittings
7. hydraulic control levers.

Task 3

Demonstrate knowledge of electrical systems in crane operations.

Performance standards

3.1 Components of electrical systems are described and their functions explained

Must include

1. alternator
2. starter
3. regulator
4. wiring
5. fuses
6. generator
7. electric motor
8. limit switches

3.2 Defects or malfunctions of electrical systems are described.

Must include

1. alternator
2. starter
3. regulator
4. wiring
5. fuses
6. generator
7. electric motor
8. limit switches.

Task 4

Demonstrate knowledge of steering system components on boom trucks.

Performance standards

4.1 Components of steering systems are described and their functions explained

Must include

1. axles
2. tie rods
3. steering box
4. ball joints
5. walking beam

4.2 Defects or malfunctions of steering systems are described

Must include

1. axles
2. tie rods
3. steering box
4. ball joints
5. walking beam

Task 5

Demonstrate knowledge of travel braking systems in boom truck operations.

Performance standards

5.1 Components of the braking systems are described and their functions explained

Must include

6. air compressor
7. brake chambers
8. drums
9. brake bands
10. slack adjusters

5.2 Defects or malfunctions of braking systems are described

Must include

1. air compressors
2. brake chambers
3. drums
4. brake bands
5. slack adjusters

**PROGRAM OUTLINE
FOR
SECTION 6

TRANSPORTATION & DELIVERY**

SECTION 6 – TRANSPORTATION & DELIVERY

Unit Standard ATD 6.8 K

Transportation & Delivery

Demonstrate knowledge of the BC Ministry of Transportation – Commercial Transport rules and regulations as they pertain to highway transportation of boom trucks with folding booms (unlimited tonnage)

Purpose

This unit provides the knowledge required to transport a crane in accordance with the BC Ministry of Transportation – Commercial Transport regulations.

Prerequisites

Unit Standard CC 3.1 K Demonstrate knowledge of types of cranes and classifications

Unit Standard AC 3.9 K Demonstrate knowledge of components and attachments for boom trucks with folding cranes (unlimited tonnage)

Assessment

For assessment purposes, all explanations, descriptions, and activities must comply with current legislation, including WorkSafeBC regulations, and industry practices:

CAN/CSA-Z150-20 Safety Code on Mobile Cranes,

Z150.3 Knuckle-boom Cranes – (New Standard under development)

ANSI Standard ANSI/ASME B30.5-2021, Mobile and Locomotive Crane or ANSI/AMSE B30.22-2016, Articulating Boom Crane

Workplace Hazardous Material Information System (WHMIS)

Insurance Corporation of BC (ICBC) and delivery agency policy.

Quality Assurance

Any assessor assessing against this competency standard must be an occupationally competent Boom Truck mounted crane operator with industrial experience; and have completed the assessor registration competency.

References

WorkSafeBC Occupational Health and Safety (OHS) regulations

The Hoisting and Rigging Safety Manual, Infrastructure Health and Safety Association of Ontario, 2009

CSA Standard Z150-20 Safety Code for Mobile Cranes,

ANSI Standard ANSI/ASME B30.5-2021, Mobile and Locomotive Crane or ANSI/AMSE B30.22-2016, Articulating Boom Crane,

Workplace Hazardous Material Information System (WHMIS)

Insurance Corporation of BC (ICBC)

BC Ministry of Transportation – Commercial Transport regulations and delivery agency policy

Commercial Vehicle Safety Enforcement

Task 1

Demonstrate knowledge of legislation and regulations to drive a boom truck with a folding boom on public highways according to the BC Ministry of Transportation - Commercial Transport Regulations

Performance standards

- 1.1 Related sections of the BC Ministry of Transportation - Commercial Transport Regulations are located and explained for the travel and transportation of boom trucks.,
- 1.2 Criteria for special permits for travel or transportation of a boom truck on a public highway are described

Must include

1. overall height
2. overall weight
3. overall length
4. total axle weight

Unit Standard ATD 6.9 K

Transportation & Delivery

Demonstrate knowledge to prepare a boom truck with a folding boom (unlimited tonnage) for highway/road travel

Purpose

This unit provides the knowledge to prepare a boom truck with a folding boom (unlimited tonnage) for travel to a worksite

Prerequisites

Unit Standard CC 3.1 K Demonstrate knowledge of types of cranes and classifications
Unit Standard ATD 6.8 K Demonstrate knowledge of the BC Ministry of Transportation - Commercial Transport Regulations, as they pertain to the transportation of cranes

Assessment

For assessment purposes, all explanations, descriptions, and activities must comply with current legislation, including WorkSafeBC regulations, and industry practices:

CAN/CSA-Z150-20 Safety Code on Mobile Cranes,

Z150.3 Knuckle-boom Cranes – (New Standard under development)

ANSI Standard ANSI/ASME B30.5-2021, Mobile and Locomotive Crane or ANSI/AMSE B30.22-2016, Articulating Boom Crane

Workplace Hazardous Material Information System (WHMIS)

Insurance Corporation of BC (ICBC) and delivery agency policy.

Quality Assurance

Any assessor assessing against this competency standard must be an occupationally competent Boom Truck mounted crane operator industrial experience; and have completed the assessor registration competency.

References

WorkSafeBC Occupational Health and Safety (OHS) regulations

The Hoisting and Rigging Safety Manual, Infrastructure Health and Safety Association of Ontario, 2009

CSA Standard Z150-20 Safety Code for Mobile Cranes,

ANSI Standard ANSI/ASME B30.5-2021, Mobile and Locomotive Crane or ANSI/AMSE B30.22-2016, Articulating Boom Crane,

Workplace Hazardous Material Information System (WHMIS),

Insurance Corporation of BC (ICBC)

BC Ministry of Transportation – Commercial Transport regulations and delivery agency policy

Task 1

Demonstrate knowledge to prepare a boom truck with a folding boom (unlimited tonnage) and its components for highway travel in accordance with manufacturer's recommendations and the BC Ministry of Transportation - Commercial Transport Regulations.

Performance standards

- 1.1 The requirements to drive a boom truck with a folding boom (unlimited tonnage) and its components on public highways are explained

Must include

1. ramps
2. decking
3. 2 pieces of planking (for outriggers)
4. flags
5. lights
6. permits
7. wheel chocks

- 1.2 The procedure for correctly preparing the boom truck with a folding boom (unlimited tonnage) and its components for driving are explained.

Must include

1. retract the boom
2. apply swing brake and lock
3. secure hook to tie down
4. retract and pin outrigger beam
5. remove outrigger pads

- 1.3 Requirements to safely secure the boom truck with a folding boom (unlimited tonnage) and its components displaying correct and serviceable signage and signals are explained.

Must include

1. manufacturer's procedures
2. BC Ministry of Transportation - Commercial Transport Regulations
3. flags
4. flashers
5. warning signs.

- 1.4 Verification of permits for the boom truck with a folding boom (unlimited tonnage) and its

load are explained.

Must include

1. correct permit present for boom truck and load being transported where applicable.

Unit Standard ATD 6.12 K

Transportation & Delivery

Demonstrate knowledge of the BC Ministry of Transportation – Commercial Transport rules and regulations as they pertain to highway transportation of boom trucks with stiff booms (unlimited tonnage)

Purpose

This unit provides the knowledge required to drive a boom truck in accordance with the BC Ministry of Transportation – Commercial Transport regulations.

Prerequisites

Unit Standard CC 3.1 K Demonstrate knowledge of types of cranes and classifications

Unit Standard AC 3.9 K Demonstrate knowledge of components and attachments for boom trucks with stiff cranes (unlimited tonnage)

Assessment

For assessment purposes, all explanations, descriptions, and activities must comply with current legislation, including WorkSafeBC regulations, and industry practices:

CAN/CSA-Z150-20 Safety Code on Mobile Cranes,

Z150.3 Knuckle-boom Cranes – (New Standard under development)

ANSI Standard ANSI/ASME B30.5-2021, Mobile and Locomotive Crane or ANSI/AMSE B30.22-2016, Articulating Boom Crane

Workplace Hazardous Material Information System (WHMIS)

Insurance Corporation of BC (ICBC) and delivery agency policy.

Quality Assurance

Any assessor assessing against this competency standard must be an occupationally competent Boom Truck mounted crane operator with industrial experience; and have completed the assessor registration competency.

References

WorkSafeBC Occupational Health and Safety (OHS) regulations

The Hoisting and Rigging Safety Manual, Infrastructure Health and Safety Association of Ontario, 2009

CAN/CSA-Z150-20 Safety Code for Mobile Cranes,

ANSI Standard ANSI/ASME B30.5-2021, Mobile and Locomotive Crane or ANSI/AMSE B30.22-2016, Articulating Boom Crane,

Workplace Hazardous Material Information System (WHMIS),

Insurance Corporation of BC (ICBC)

BC Ministry of Transportation – Commercial Transport regulations and delivery agency policy

Commercial Vehicle Safety Enforcement

Task 1

Demonstrate knowledge of legislation and regulations to drive a boom truck with a stiff boom on public highways according to the BC Ministry of Transportation - Commercial Transport Regulations

Performance standards

- 1.1 Related sections of the BC Ministry of Transportation - Commercial Transport Regulations are located and explained for the travel and transportation of boom trucks.,
- 1.2 Criteria for special permits for travel or transportation of a crane on a public highway are described

Must include

1. overall height
2. overall weight
3. overall length
4. total axle weight

Unit Standard ATD 6.13 K

Transportation & Delivery

Demonstrate knowledge prepare a boom truck with a stiff boom (unlimited tonnage) for highway/road travel

Purpose

This unit provides the knowledge to prepare a boom truck with a stiff boom (unlimited tonnage) for highway/road travel to a worksite.

Prerequisites

Unit Standard CC 3.1 K Demonstrate knowledge of types of cranes and classifications
Unit Standard ATD 6.12 K Demonstrate knowledge of the BC Ministry of Transportation - Commercial Transport Regulations, as they pertain to the transportation/driving of boom trucks with a stiff boom (unlimited tonnage)

Assessment

For assessment purposes, all explanations, descriptions, and activities must comply with current legislation, including WorkSafeBC regulations, and industry practices:
CAN/CSA-Z150-20 Safety Code on Mobile Cranes,
Z150.3 Knuckle-boom Cranes – (New Standard under development)
ANSI Standard ANSI/ASME B30.5-2021, Mobile and Locomotive Crane or ANSI/AMSE B30.22-2016, Articulating Boom Crane
Workplace Hazardous Material Information System (WHMIS)
Insurance Corporation of BC (ICBC) and delivery agency policy.

Quality Assurance

Any assessor assessing against this competency standard must be an occupationally competent Boom Truck mounted crane operator industrial experience; and have completed the assessor registration competency.

References

WorkSafeBC Occupational Health and Safety (OHS) regulations
The Hoisting and Rigging Safety Manual, Infrastructure Health and Safety Association of Ontario, 2009
CSA Standard Z150-20 Safety Code for Mobile Cranes,
ANSI Standard ANSI/ASME B30.5-2021, Mobile and Locomotive Crane or ANSI/AMSE B30.22-2016, Articulating Boom Crane,
Workplace Hazardous Material Information System (WHMIS),
Insurance Corporation of BC (ICBC)
BC Ministry of Transportation – Commercial Transport regulations and delivery agency policy

Task 1

Demonstrate knowledge to prepare a boom truck with a stiff boom (unlimited tonnage) and its components for highway travel in accordance with manufacturer's recommendations and the BC Ministry of Transportation - Commercial Transport Regulations.

Performance standards

- 1.1 The requirements to drive a boom truck with a folding boom 22 tonnes and under on public highways are explained

Must include

1. flags
2. lights
3. permits
4. wheel chocks

- 1.2 The procedure for correctly preparing the boom truck with a folding boom 22 tonnes for driving are explained.

Must include

1. retract the boom
2. apply swing brake and lock
3. secure hook to tie down
4. retract and pin outrigger beam
5. remove outrigger pads

- 1.3 Verification of permits for the boom truck with a folding boom 22 tonnes and under and its load are explained.

Must include

1. correct permit present for boom truck and load being transported where applicable.

**PROGRAM OUTLINE
FOR
SECTION 7**

SITE PLANNING & CRANE POSITIONING

SECTION 7 – SITE PLANNING & CRANE POSITIONING

Unit Standard ASPCP 7.6 K

Site Planning & Crane Positioning

Demonstrate knowledge to locate and safely position a boom truck with a folding boom (unlimited tonnage) using site assessment tools

Purpose

This unit provides the knowledge required to use lift plans and to assess a site accurately in order to set-up and operate a Boom Truck with folding boom crane (unlimited tonnage).

Prerequisite

Unit Standard CLC 5.2 K Demonstrate knowledge of loading and lifting

Assessment

For assessment purposes, all explanations, descriptions, and activities must comply with current legislation, including WorkSafeBC regulations, and industry practices:

CAN/CSA-Z150-20 Safety Code on Mobile Cranes,

Z150.3 Knuckle-boom Cranes – (New Standard under development)

ANSI Standard ANSI/ASME B30.5-2021, Mobile and Locomotive Crane or ANSI/AMSE B30.22-2016, Articulating Boom Crane

Workplace Hazardous Material Information System (WHMIS)

Quality Assurance

Any assessor assessing against this competency standard must be an occupationally competent Boom Truck mounted crane operator with industrial experience; and have completed the assessor registration competency.

References

WorkSafeBC Occupational Health and Safety (OHS) regulations

The Hoisting and Rigging Safety Manual, Infrastructure Health and Safety Association of Ontario, 2009

CSA Standard Z150-20 Safety Code for Mobile Cranes,

ANSI Standard ANSI/ASME B30.5-2021, Mobile and Locomotive Crane or ANSI/AMSE B30.22-2016, Articulating Boom Crane,

Workplace Hazardous Material Information System (WHMIS), and delivery agency policy

Task 1

Demonstrate knowledge of lift plans (left in until it can be verified if this is or is not relevant to Boom Trucks)

Performance standards

1.1 The purpose of site blue prints and engineering drawings in preparing lift plans is explained

Must include

1. structural integrity of the area
2. placement of load
3. placement of crane

1.2 The elements of a standard lift plan are described

Must include

1. routine to move load
2. signal person
3. radio/hand signals
4. signed by operator
5. signed by supervisor

Task 2

Demonstrate knowledge of how to assess a site to safely position a boom truck and perform the required lift(s).

Performance standards

2.1 Examining the site.

Must include

4. structural integrity of the area
5. placement of load
6. placement of Boom Truck and crane set up
7. proximity to slopes
8. proximity to excavations
9. ground stability and drainage

2.2 Planning the lift

Must include

6. routine to move load
7. signal person
8. radio/hand signals
9. signed by operator (where appropriate)
10. signed by supervisor (where appropriate)

Unit Standard ASPCP 7.7 W

Site Planning & Crane Positioning

Conduct an accurate site assessment and safely position a boom truck with a folding boom (unlimited tonnage) in the workplace

Purpose

This unit provides the knowledge required to locate and safely position a boom truck with folding boom.

Prerequisite

ASPCP 7.6 K Demonstrate knowledge to locate and safely position a boom truck with a folding boom (unlimited tonnage) using site assessment tools

Assessment

For assessment purposes, all explanations, descriptions, and activities must comply with current legislation, including WorkSafeBC regulations, and industry practices:

CAN/CSA-Z150-20 Safety Code on Mobile Cranes,

Z150.3 Knuckle-boom Cranes – (New Standard under development)

ANSI Standard ANSI/ASME B30.5-2021, Mobile and Locomotive Crane or ANSI/AMSE B30.22-2016, Articulating Boom Crane

Workplace Hazardous Material Information System (WHMIS)

Quality Assurance

Any assessor assessing against this competency standard must be an occupationally competent Boom Truck mounted crane operator with industrial experience; and have completed the assessor registration competency.

References

WorkSafeBC Occupational Health and Safety (OHS) regulations

The Hoisting and Rigging Safety Manual, Infrastructure Health and Safety Association of Ontario, 2009

CSA Standard Z150-20 Safety Code for Mobile Cranes,

ANSI Standard ANSI/ASME B30.5-2021, Mobile and Locomotive Crane or ANSI/AMSE B30.22-2016, Articulating Boom Crane,

Workplace Hazardous Material Information System (WHMIS), and delivery agency policy

Task 1

Inspect a site and develop an accurate lift plan

Performance Standards

1.1 Lift plan is accurate

Must include

1. assessment of area and soil condition
2. assessment of hazards
3. assessment of obstacles
4. overhead hazards
5. underground utilities
6. proximity to slopes
7. proximity to excavations
8. ground stability and drainage

1.2 Location and positioning of Boom Truck and crane boom is safe and correct

Must include

1. blocking and blocking mats
2. signalling and barrier signage
3. grounding and bonding

Unit Standard ASPCP 7.10 K

Site Planning & Crane Positioning

Demonstrate knowledge to locate and safely position a boom truck with a stiff boom 40 tonnes and under using site assessment tools

Purpose

This unit provides the knowledge required to assess a site accurately in order to set-up and operate a Boom Truck with a stiff boom 40 tonnes and under.

Prerequisite

Unit Standard CL 5.2 K Demonstrate knowledge of loading and lifting

Assessment

For assessment purposes, all explanations, descriptions, and activities must comply with current legislation, including WorkSafeBC regulations, and industry practices:

CAN/CSA-Z150-20 Safety Code on Mobile Cranes,

Z150.3 Knuckle-boom Cranes – (New Standard under development)

ANSI Standard ANSI/ASME B30.5-2021, Mobile and Locomotive Crane or ANSI/AMSE B30.22-2016, Articulating Boom Crane

Workplace Hazardous Material Information System (WHMIS)

Quality Assurance

Any assessor assessing against this competency standard must be an occupationally competent Boom Truck mounted crane operator with industrial experience; and have completed the assessor registration competency.

References

WorkSafeBC Occupational Health and Safety (OHS) regulations

The Hoisting and Rigging Safety Manual, Infrastructure Health and Safety Association of Ontario, 2009

CAN/CSA-Z150-20 Safety Code on Mobile Cranes,

ANSI Standard ANSI/ASME B30.5-2021, Mobile and Locomotive Crane or ANSI/AMSE B30.22-2016, Articulating Boom Crane,

Workplace Hazardous Material Information System (WHMIS) and delivery agency policy

Task 1

Demonstrate knowledge of how to assess a site to position a stiff boom truck and perform the required lift(s).

Performance standards

1.1 Examining the site.

Must include

1. structural integrity of the area
2. proximity to excavations
3. Drainage and site soil stability
4. placement of load
5. placement of boom truck
6. extension of boom sections
7. placement of jib

1.2 Planning the lift

Must include

1. routine to move load
2. signal person
3. radio/hand signals
4. signed by operator (where appropriate)
5. signed by supervisor (where appropriate)

Unit Standard ASPCP 7.11 W

Site Planning & Crane Positioning

Conduct an accurate site assessment and safely position a boom truck with a stiff boom (unlimited tonnage) in the workplace

Purpose

This unit provides a demonstration of conducting a site assessment and locating and safely positioning a crane

Prerequisites

Unit Standard ASPCP 7.10 K Demonstrate knowledge of accurate site assessments

Assessment

For assessment purposes, all explanations, descriptions, and activities must comply with current legislation, including WorkSafeBC regulations, and industry practices:

CAN/CSA-Z150-20 Safety Code on Mobile Cranes,

Z150.3 Knuckle-boom Cranes – (New Standard under development)

ANSI Standard ANSI/ASME B30.5-2021, Mobile and Locomotive Crane or ANSI/AMSE B30.22-2016, Articulating Boom Crane

Workplace Hazardous Material Information System (WHMIS)

Quality Assurance

Any assessor assessing against this competency standard must be an occupationally competent Boom Truck mounted crane operator with industrial experience; and have completed the assessor registration competency.

References

WorkSafeBC Occupational Health and Safety (OHS) regulations

The Hoisting and Rigging Safety Manual, Infrastructure Health and Safety Association of Ontario, 2009

CAN/CSA-Z150-20 Safety Code for Mobile Cranes,

ANSI Standard ANSI/ASME B30.5-2021, Mobile and Locomotive Crane or ANSI/AMSE B30.22-2016, Articulating Boom Crane,

Workplace Hazardous Material Information System (WHMIS) and delivery agency policy

Task 1

Inspect a site and develop an accurate lift plan

Performance Standards

1.1 Lift plan is accurate

Must include

1. assessment of area and soil condition
2. assessment of hazards
3. proximity to excavations and slopes
4. assessment of obstacles
5. overhead hazards
6. underground utilities

1.2 Location and positioning of Boom Truck is safe and correct

Must include

1. blocking and blocking mats
2. signalling and barrier signage
3. grounding and bonding

**PROGRAM OUTLINE
FOR
SECTION 8

CRANE OPERATIONS**

SECTION 8 – CRANE OPERATIONS

Unit Standard ACO 8.9 K

Crane Operations

Demonstrate knowledge of crane operations for a boom truck with a folding boom (unlimited tonnage)

Purpose

This unit provides the knowledge required to operate a boom truck with a folding boom (unlimited tonnage) to lift and place loads in a safe and efficient manner in accordance with the manufacturer's recommendations.

Prerequisites

All Knowledge Units in Core and Advanced Sections 1 through 7 are required.

Assessment

For assessment purposes, all explanations, descriptions, and activities must comply with current legislation, including WorkSafeBC regulations, and industry practices:

CAN/CSA-Z150-20 Safety Code on Mobile Cranes,

Z150.3 Knuckle-boom Cranes – (New Standard under development)

ANSI Standard ANSI/ASME B30.5-2021, Mobile and Locomotive Crane or ANSI/AMSE B30.22-2016, Articulating Boom Crane

Workplace Hazardous Material Information System (WHMIS)

Quality Assurance

Any assessor assessing against this competency standard must be an occupationally competent Boom Truck mounted crane operator with industrial experience; and have completed the assessor registration competency.

References

WorkSafeBC Occupational Health and Safety (OHS) regulations

The Hoisting and Rigging Safety Manual, Infrastructure Health and Safety Association of Ontario, 2009

CSA Standard Z150-20 Safety Code for Mobile Cranes,

ANSI Standard ANSI/ASME B30.5-2021, Mobile and Locomotive Crane or

ANSI/ASME B30.22-2016, Articulating Boom Crane,

Workplace Hazardous Material Information System WHMIS and delivery Agency policy

Task 1

Demonstrate knowledge of the use of the appropriate load charts for articulating boom cranes.

Performance standards

- 1.1 Load charts are interpreted accurately
- 1.2 Load dimensions are verified by crane supervisor, crane operator (and engineer as required)
- 1.3 Centre of gravity is calculated
- 1.4 Special lift instructions are noted
- 1.5 Safe working loads (SWL / WLL) for wire rope and rigging are determined
- 1.6 Appropriate hardware and safety devices are selected
- 1.7 Load on the slings is considered for equal and unequal lengths (when used)

Task 2

Demonstrate knowledge to correctly operate a folding boom crane without and with a load

Performance Standards

- 2.1 The safe and correct operation of a folding boom crane without a load is described

Must include

1. Booming up and booming down
2. telescoping in and out (when equipped with telescoping boom section)
3. slewing (swinging) clockwise and counter clockwise
4. hoisting up and down (when equipped with hoist)

- 2.2 The safe and correct operation of a folding boom crane with a load is described

Must include

1. Booming up and booming down
2. telescoping in and out (when equipped with telescoping boom section)
3. slewing (swinging) clockwise and counter clockwise
4. hoisting up and down (when equipped with hoist)

Task 3

Demonstrate knowledge of safe control of the load according to conditions.

Performance Standard

3.1 Weather conditions and their affects on lifting are listed

Must include

1. ice
2. frozen to the ground
3. high winds
4. lightning storm

3.2 Techniques to maintain control of the hook (and block when equipped with a hoist) are described

Must include

1. maintain even control
2. use slower swing speeds
3. awareness of the effect of slewing speed on load and boom swing radius

Task 4

Demonstrate knowledge of hoisting procedures for a boom truck with a folding boom 22 tonnes and under.

Performance Standard

4.1 Procedures for operating in the vicinity of high voltage equipment are described according to local utilities and limits of approach

4.2 The procedures for doing a blind lift are explained.

Must include

1. use of radio when signaller not visible

Task 5

Demonstrate knowledge of the monitoring and troubleshooting required while operating a folding boom crane

5.1 Monitoring equipment performance during operation is described

Must include

1. water levels
2. oil fluid levels
3. hydraulic levels
4. instrument gauges

5.2 How to trouble shoot equipment problems is described according to manufacturer's specifications

Task 6

Demonstrate knowledge of safely and efficiently moving and placing a load at its intended destination

6.1 Moving and placing a load safely is described

Must include

1. obey signal person
2. avoid all obstacles
3. load is in the right destination

Task 7

Demonstrate knowledge of post operational procedure

Must include

1. check fluid levels
2. proper shut down of engine
3. proper lockup
4. leave in appropriate location

Unit Standard ACO 8.10 W

Crane Operations

Operate a boom truck with a folding boom (unlimited tonnage) to safely lift and place loads in a workplace

Purpose

This unit demonstrates the operation of boom truck with a folding boom (unlimited tonnage) to lift and place loads in a safe and efficient manner in accordance with the manufacturer's recommendations.

Prerequisites

Unit Standards in Sections 1 through 7

Unit Standard CCO 8.1 K Demonstrate knowledge of pre-operational requirements in crane operations

Unit Standard ACO 8.9 K Demonstrate knowledge of pre-operational requirements in crane operations for a boom truck with a folding boom (unlimited tonnage).

Assessment

For assessment purposes, all explanations, descriptions, and activities must comply with current legislation, including WorkSafeBC regulations, and industry practices:

CAN/CSA-Z150-20 Safety Code on Mobile Cranes,

Z150.3 Knuckle-boom Cranes – (New Standard under development)

ANSI Standard ANSI/ASME B30.5-2021, Mobile and Locomotive Crane or ANSI/AMSE B30.22-2016, Articulating Boom Crane

Workplace Hazardous Material Information System (WHMIS)

Quality Assurance

Any assessor assessing against this competency standard must be an occupationally competent Boom Truck mounted crane operator with industrial experience; and have completed the assessor registration competency.

References

WorkSafeBC Occupational Health and Safety (OHS) regulations

The Hoisting and Rigging Safety Manual, Infrastructure Health and Safety Association of Ontario, 2009

CSA Standard Z150-20 Safety Code for Mobile Cranes,

ANSI Standard ANSI/ASME B30.5-2021, Mobile and Locomotive Crane or ANSI/AMSE B30.22-2016, Articulating Boom Crane,

Workplace Hazardous Material Information System (WHMIS), and delivery agency policy

Task 1

Correctly operate the boom crane with and without a load according to manufacturer's specifications.

Performance Standards

1.1 A crane without a load is safely and correctly operated

Must include

1. Booming up and booming down
2. Slewing clockwise and counter clockwise
3. Hoisting up and down when equipped with hoist
4. Travel to site prior to set up

1.2 A crane with a load is safely and correctly operated

Must include

1. Booming up and booming down
2. Slewing clockwise and counter clockwise
3. Hoisting up and down when equipped with hoist (and hook block when equipped with a winch).

Task 2

Adjust procedures according to conditions and maintain safe control of the hook. (and hook block when equipped with a winch).

Performance Standard

2.1 Adjustments for weather conditions are performed (may be performed in a simulated environment)

Must include

1. ice
2. frozen to the ground
3. high winds
4. lightning storm

2.2 Techniques to maintain control of the hook are demonstrated

Must include

1. maintain even control

2. use slower swing speeds

Task 3

Perform equipped lift using a boom truck with a folding boom following manufacturer's recommendations and following all safety regulations.

Performance Standard

3.1 Operating in the vicinity of high voltage equipment is safely demonstrated according to local utilities and limits of approach in a simulated environment

3.2 A blind lift is safely performed

Must include

1. use of radio when signaller not visible

Task 4

Monitor equipment performance and trouble shoot problems while using a crane.

4.1 Monitoring equipment performance is demonstrated

Must include

1. water levels
2. oil fluid levels
3. hydraulic levels
4. instrument gauges

4.2 Trouble shooting equipment problems is demonstrated according to manufacturer's specifications

Task 5

Safely and efficiently lift and place loads at their intended destination

5.1 Load is lifted and placed safely

Must include

1. obey signal person
2. avoid all obstacles
3. load is in the right destination

Task 6

Perform post operational procedures

Performance Standards

- 6.1 Wheels and attachments are cleaned
- 6.2 Equipment is in the appropriate location and safely parked
- 6.3 Equipment is correctly shut down
- 6.4 Equipment is safely secured

Must include

- 1. lock up
- 2. battery disconnect (switch)

- 6.5 Housekeeping tasks are performed

Must include

- 1. deck is clean
- 2. cab is clean
- 3. rubbish/obstacles in cab are removed

- 6.6 Post operation inspection is performed

Must include

- 1. fluid levels
- 2. shut down
- 3. lock up
- 4. appropriate location

Unit Standard ACO 8.13 K

Crane Operations

Demonstrate knowledge of crane operations for a boom truck with a stiff boom (unlimited tonnage)

Purpose

This unit provides the knowledge required to operate a boom truck with a stiff boom (unlimited tonnage) to lift up and place loads in a safe and efficient manner in accordance with the manufacturer's recommendations.

Prerequisites

All Core Knowledge Units in Sections 1 through 7 are required.

Assessment

For assessment purposes, all explanations, descriptions, and activities must comply with current legislation, including WorkSafeBC regulations, and industry practices:

CAN/CSA-Z150-20 Safety Code on Mobile Cranes,

Z150.3 Knuckle-boom Cranes – (New Standard under development)

ANSI Standard ANSI/ASME B30.5-2021, Mobile and Locomotive Crane or ANSI/AMSE B30.22-2016, Articulating Boom Crane

Workplace Hazardous Material Information System (WHMIS)

Quality Assurance

Any assessor assessing against this competency standard must be an occupationally competent Boom Truck mounted crane operator with industrial experience; and have completed the assessor registration competency.

References

WorkSafeBC Occupational Health and Safety (OHS) regulations

The Hoisting and Rigging Safety Manual, Infrastructure Health and Safety Association of Ontario, 2009 CAN/CSA-Z150-20 Safety Code for Mobile Cranes,

ANSI Standard ANSI/ASME B30.5-2021, Mobile and Locomotive Crane or

ANSI/ASME B30.22-2016, Articulating Boom Crane,

Workplace Hazardous Material Information System WHMIS and delivery Agency policy

Task 1

Demonstrate knowledge of the use of the appropriate load charts.

Performance standards

- 1.1 Load charts are interpreted accurately
- 1.2 Load dimensions are verified by crane supervisor, crane operator (and engineer as required)
- 1.3 Centre of gravity is calculated
- 1.4 Special lift instructions are noted
- 1.5 Safe working loads (SWL / WLL) for wire rope and rigging are determined
- 1.6 Appropriate hardware and safety devices are selected
- 1.7 Load on the slings is considered for equal and unequal lengths (when used)

Task 2

Demonstrate knowledge to correctly operate a boom truck with stiff boom without and with a load.

Performance Standards

- 1.1 The safe and correct operation of a boom truck with a stiff boom without a load is described

Must include

1. Booming up and booming down
2. telescoping in and out (when equipped with telescoping boom section)
3. slewing (swinging) clockwise and counter clockwise
4. hoisting up and down (when equipped with hoist)

- 1.2 The safe and correct operation of a boom truck with a stiff boom with a load is described

Must include

1. Booming up and booming down
2. telescoping in and out
3. slewing (swinging) clockwise and counter clockwise

4. hoisting up and down

Task 3

Demonstrate knowledge of safe control according to conditions.

Performance Standard

- 2.1 Weather conditions and their affects on lifting are listed

Must include

1. ice
2. frozen to the ground
3. high winds
4. lightning storm

- 2.2 Techniques to maintain control of the hook block are described

Must include

1. maintain even control
2. use slower swing speeds

Task 4

Demonstrate knowledge of hoisting procedures for a boom truck.

Performance Standard

- 3.1 Pick up and transport procedures are explained

Must include

1. travel slow speed
2. shortest boom length possible

- 3.2 Procedures for operating in the vicinity of high voltage equipment are described according to local utilities and limits of approach

- 3.3 The procedures for doing a blind lift are explained.

Must include

1. use of radio when signaller not visible

Task 5

Demonstrate knowledge of the monitoring and troubleshooting required while operating a boom truck with a stiff boom.

4.1 Monitoring equipment performance during operation is described

Must include

1. water levels
2. oil fluid levels
3. hydraulic levels
4. instrument gauges

4.2 How to trouble shoot equipment problems is described according to manufacturer's specifications

Task 6

Demonstrate knowledge of safely and efficiently lifting and placing a load at its intended destination

5.1 Lifting and placing a load safely is described

Must include

1. obey signal person
2. avoid all obstacles
3. load is in the right destination

Task 7

Demonstrate knowledge of post operational procedure

Must include

1. check fluid levels
2. proper shut down of engine
3. proper lockup
4. leave in appropriate location

Unit Standard ACO 8.14 W

Crane Operations

Use a boom truck with a stiff boom (unlimited tonnage) to safely pick up and carry loads in a workplace

Purpose

This unit demonstrates the use of boom truck with a stiff boom (unlimited tonnage) to lift up and place loads in a safe and efficient manner in accordance with the manufacturer's recommendations.

Prerequisites

Unit Standards in Sections 1 through 7

Unit Standard ATD 6.15 W Assemble/setup and disassemble a boom truck with a stiff boom (unlimited tonnage) at a worksite

Unit Standard ACO 8.11 K Demonstrate knowledge of pre-operational requirements in crane operations

Assessment

For assessment purposes, all explanations, descriptions, and activities must comply with current legislation, including WorkSafeBC regulations, and industry practices:

CAN/CSA-Z150-20 Safety Code on Mobile Cranes,

Z150.3 Knuckle-boom Cranes – (New Standard under development)

ANSI Standard ANSI/ASME B30.5-2021, Mobile and Locomotive Crane or ANSI/AMSE B30.22-2016, Articulating Boom Crane

Workplace Hazardous Material Information System (WHMIS)

Quality Assurance

Any assessor assessing against this competency standard must be an occupationally competent Boom Truck mounted crane operator with industrial experience; and have completed the assessor registration competency.

References

WorkSafeBC Occupational Health and Safety (OHS) regulations

The Hoisting and Rigging Safety Manual, Infrastructure Health and Safety Association of Ontario, 2009

CAN/CSA-Z150-20 Safety Code for Mobile Cranes,

ANSI Standard ANSI/ASME B30.5-2021, Mobile and Locomotive Crane or ANSI/AMSE B30.22-2016, Articulating Boom Crane,

Workplace Hazardous Material Information System (WHMIS) and delivery agency policy

Task 1

Demonstrate completing lifting plans and rigging for stiff boom trucks 40 tonnes and under.

Performance Standards

- 1.1 Lifting plans are completed.
- 1.2 Rigging is completed for load requirements/type.

Task 2

Correctly operate a boom truck with stiff boom with and without a load.

Performance Standards

- 2.1 A boom truck with stiff boom without a load is safely and correctly operated

Must include

1. Booming up and booming down
2. slewing clockwise and counter clockwise
3. hoisting up and down when equipped with hoist
4. travel on site prior to set up

- 2.2 A boom truck with stiff boom with a load is safely and correctly operated

Must include

1. Booming up and booming down
2. slewing clockwise and counter clockwise
3. hoisting up and down when equipped with hoist

Task 3

Adjust procedures according to conditions and maintain safe control of the hook.

Performance Standard

- 3.1 Adjustments for weather conditions are performed (may be performed in a simulated environment)

Must include

1. ice
2. frozen to the ground
3. high winds
4. lightning storm

- 3.2 Techniques to maintain control of the hook are demonstrated
Must include
1. maintain even control
 2. use slower swing speeds

Task 4

Perform hoisting procedures with a boom truck stiff boom crane following manufacturer's recommendations and following all safety regulations.

Performance Standard

- 4.1 Operating in the vicinity of high voltage equipment are safely demonstrated according to local utilities and limits of approach in a simulated environment
- 4.2 A blind lift is safely performed
- Must include
1. use of radio when signaller not visible

Task 5

Monitor equipment performance and trouble shoot problems while using a boom truck.

- 5.1 Monitoring equipment performance is demonstrated
- Must include
1. water levels
 2. oil fluid levels
 3. hydraulic levels
 4. instrument gauges
- 5.2 Trouble shooting equipment problems is demonstrated according to manufacturer's specifications

Task 6

Safely and efficiently lift and place loads at their intended destination

- 6.1 Load is lifted and placed safely
- Must include
1. obey signal person
 2. avoid all obstacles
 3. load is in the right destination

Task 7

Perform post operational procedures

Performance Standards

- 7.1 Wheels and attachments are cleaned
- 7.2 Equipment is in the appropriate location and safely parked
- 7.3 Equipment is correctly shut down
- 7.4 Equipment is safely secured

Must include

- 1. lock up
- 2. battery disconnect switch

- 7.5 Housekeeping tasks are performed

Must include

- 1. deck is clean
- 2. cab is clean
- 3. rubbish/obstacles in cab are removed

- 7.6 Post operation inspection is performed

Must include

- 1. fluid levels
- 2. shut down
- 3. Lock up
- 4. appropriate location

**PROGRAM OUTLINE
FOR
SECTION 9

MAINTENANCE & SERVICE**

SECTION 9 – MAINTENANCE & SERVICE

Unit Standard AMS 9.13 K

Maintenance & Service

Demonstrate knowledge of inspecting engines, monitoring devices and hydraulic systems for boom trucks with folding booms (unlimited tonnage)

Purpose

This unit provides the knowledge required to inspect engines, monitoring devices and hydraulic systems on boom trucks equipped with folding booms (unlimited tonnage).

Prerequisites

All Unit Standards in Core Sections 1, 2, 3, 4 and 9

Assessment

For assessment purposes, all explanations, descriptions, and activities must comply with current legislation, including WorkSafeBC regulations, and industry practices:

CAN/CSA-Z150-20 Safety Code on Mobile Cranes,

Z150.3 Knuckle-boom Cranes – (New Standard under development)

ANSI Standard ANSI/ASME B30.5-2021, Mobile and Locomotive Crane or ANSI/AMSE B30.22-2016, Articulating Boom Crane

Workplace Hazardous Material Information System (WHMIS)

Quality Assurance

Any assessor assessing against this competency standard must be an occupationally competent Boom Truck mounted crane operator with industrial experience; and have completed the assessor registration competency.

References

WorkSafeBC Occupational Health and Safety (OHS) regulations

The Hoisting and Rigging Safety Manual, Infrastructure Health and Safety Association of Ontario, 2009 CSA Standard Z150-20 Safety Code for Mobile Cranes,

ANSI Standard ANSI/ASME B 30.5-2021, Mobile and Locomotive Crane or

ANSI/ASME B30.22-2016, Articulating Boom Crane,

Workplace Hazardous Material Information System WHMIS and delivery Agency policy

Note: The completion of Core Unit CMS 9.1 W is achieved naturally while completing the Advanced Units in Section 9 on Maintenance and Service.

Task 1

Demonstrate knowledge of tools required to perform basic maintenance.

Performance Standards

1.1 The tools required for basic crane maintenance and their functions are described.

Must include

1. grease gun
2. wrenches
3. screwdrivers
4. hammers
5. vice grips
6. shovels
7. pinch bar
8. step ladder
9. tape measure (fibreglass or cloth)

Task 2

Demonstrate knowledge of inspecting engines on boom trucks.

Performance Standards

2.1 Engine inspections are correctly described

Must include

1. crank case oil
2. air filters and cleaner
3. radiator levels and coolant systems
4. air dryer systems

Task 3

Demonstrate knowledge of inspecting monitoring devices on boom trucks.

Performance Standard

3.1 Inspecting monitoring devices is accurately described

Must include

1. Load moment indicator (LMI) (when equipped)
2. anti two block device (when hoist equipped)

Task 4

Demonstrate knowledge of inspecting hydraulic systems on boom trucks.

Performance Standard

4.1 Safety precautions to take while performing inspections are described

Must include

1. discharge of pressure in system
2. avoiding oil being injected into the bloodstream
3. shut down of motor
4. avoiding burns and scalds

4.2 Inspecting hydraulic systems is accurately described

Must include

1. pumps
2. fluid levels
3. hoses
4. motors
5. valves

Unit Standard AMS 9.14 K

Maintenance & Service

Demonstrate knowledge of servicing and maintenance procedures on procedures on boom trucks with folding booms (unlimited tonnage)

Purpose

This unit provides the knowledge required to perform service and maintenance on boom trucks with folding booms (unlimited tonnage).

Prerequisites

Unit Standard AMS 9.13 Demonstrate knowledge of inspecting engines, monitoring devices and hydraulic systems on boom trucks with folding booms (unlimited tonnage)

Assessment

For assessment purposes, all explanations, descriptions, and activities must comply with current legislation, including WorkSafeBC regulations, and industry practices:

CAN/CSA-Z150-20 Safety Code on Mobile Cranes,

Z150.3 Knuckle-boom Cranes – (New Standard under development)

ANSI Standard ANSI/ASME B30.5-2021, Mobile and Locomotive Crane or ANSI/AMSE B30.22-2016, Articulating Boom Crane

Workplace Hazardous Material Information System (WHMIS)

Quality Assurance

Any assessor assessing against this competency standard must be an occupationally competent Boom Truck mounted crane operator with industrial experience; and have completed the assessor registration competency.

References

WorkSafeBC Occupational Health and Safety (OHS) regulations

The Hoisting and Rigging Safety Manual, Infrastructure Health and Safety Association of Ontario, 2009

CSA Standard Z150-20 Safety Code for Mobile Cranes,

ANSI Standard ANSI/ASME B 30.5-2021, Mobile and Locomotive Crane or

ANSI/ASME B30.22-2016, Articulating Boom Crane,

Workplace Hazardous Material Information System WHMIS and delivery Agency policy

Task 1

Demonstrate knowledge of engine cooling system maintenance information from manufacturer's manuals.

Performance Standards

1.1 Use and interpretation of manufacturer's manuals is described

Task 2

Demonstrate knowledge of service and maintenance performed on boom trucks with folding booms (unlimited tonnage)

Performance Standards

2.1 Basic service and maintenance of engines is described

Must include

1. grease fittings
2. addition of required fluids
3. adjustment of belts
4. replacement of belts
5. adjustment of air cleaners
6. oil and filter change
7. hoses

2.2 Adjustment of control mechanisms is explained

Must include

1. cables
2. brakes
3. levers

2.3 Structural maintenance is described

Must include

1. bolts
2. wedges
3. cotter keys
4. pins
5. guard rails

2.4 Cleaning boom truck components is described

Must include

1. batteries

2. windows
3. wheels
4. deck

2.5 Service and maintenance to boom truck and folding boom crane and accessory systems is described

Must include

1. gearbox
2. hydraulic tank breathers
3. outriggers and stabilizers
4. booms
5. steering systems
6. air tanks
7. filters

2.6 Maintenance of cooling systems is described

Must include

1. air cooling systems
2. water cooling systems

Task 3

Demonstrate knowledge of factors influencing operator's maintenance responsibilities

Performance Standards

3.1 Factors influencing operator's maintenance responsibilities are explained

Must include

1. operator's responsibility according to industry
2. operator's capabilities
3. tool availability
4. availability of higher level maintenance
5. location

Task 4

Demonstrate knowledge of reporting and recording procedures for boom truck crane service and maintenance.

Performance Standards

- 4.1 Reporting defects and deficiencies to the crane and site supervisors is explained
- 4.2 Recording maintenance in the log book is explained

Must include

1. maintenance requested
2. maintenance performed
3. legal requirements for entries

Unit Standard AMS 9.15 W

Maintenance & Service

Complete maintenance checklists (engine on/engine off) and maintain engines on a boom truck with a folding boom (unlimited tonnage) to manufacturer's specifications

Purpose

This unit provides the demonstration of engine maintenance according to manufacturer's specifications.

Prerequisites

Unit Standard AMS 9.13 K Demonstrate knowledge of inspecting engines, monitoring devices and hydraulic systems on boom trucks with folding booms (unlimited tonnage)

Unit Standard AMS 9.14 K Demonstrate knowledge of servicing and maintenance procedures on boom trucks with folding booms (unlimited tonnage)

Assessment

For assessment purposes, all explanations, descriptions, and activities must comply with current legislation, including WorkSafeBC regulations, and industry practices:

CAN/CSA-Z150-20 Safety Code on Mobile Cranes,

Z150.3 Knuckle-boom Cranes – (New Standard under development)

ANSI Standard ANSI/ASME B30.5-2021, Mobile and Locomotive Crane or ANSI/AMSE B30.22-2016, Articulating Boom Crane

Workplace Hazardous Material Information System (WHMIS)

Quality Assurance

Any assessor assessing against this competency standard must be an occupationally competent Boom Truck mounted crane operator with industrial experience; and have completed the assessor registration competency.

References

WorkSafeBC Occupational Health and Safety (OHS) regulations

The Hoisting and Rigging Safety Manual, Infrastructure Health and Safety Association of Ontario, 2009

CSA Standard Z150-20 Safety Code for Mobile Cranes,

ANSI Standard ANSI/ASME B 30.5-2021, Mobile and Locomotive Crane or

ANSI/ASME B30.22-2016, Articulating Boom Crane,

Workplace Hazardous Material Information System WHMIS and delivery Agency policy

Task 1

Complete maintenance engine checklists while the engine is OFF

Performance Standards

- 1.1 All parts of the checklist are accurately checked according to the company's requirements and manufacturer's manuals
- 1.2 Problems are accurately identified
- 1.3 Identified problems are recorded in the maintenance log book
- 1.4 Identified problems are reported to the crane superintendent

Task 2

Complete maintenance engine checklists while the engine is ON

Performance Standards

- 2.1 All parts of the checklist are accurately checked according to the company's requirements
- 2.2 Problems are accurately identified
- 2.3 Identified problems are recorded in the maintenance log book
- 2.4 Identified problems are reported to the crane superintendent

Task 3

Maintain engines to the manufacturer's specifications

Performance Standards

- 3.1 Basic service and maintenance of boom truck engines is performed

Must include

1. addition of required fluids
2. adjustment of belts
3. replacement of belts
4. air cleaners

5. oil filters
6. hoses

3.2 Manufacturer's manuals are interpreted accurately to determine maintenance requirements

3.3 The tools required for basic boom truck maintenance are correctly used.

Must include

1. grease gun
2. wrenches
3. screwdrivers
4. hammers
5. vice grips
6. pinch bar
7. step ladder
8. tape measure (cloth or fibreglass)

3.4 Structural maintenance is performed

Must include

1. bolts
2. wedges
3. cotter keys
4. pins
5. guard rails

3.5 Service and maintenance to boom truck and accessory systems is performed

Must include

1. gearbox
2. hydraulic tank breathers
3. outriggers and stabilizers
4. booms
5. steering systems
6. air tanks
7. filters

3.6 Cleaning boom truck components is performed

Must include

1. batteries
2. windows
3. wheels
4. deck

Unit Standard AMS 9.16 W

Maintenance & Service

Perform routine inspections and maintenance on hydraulic systems on boom trucks with folding booms (unlimited tonnage)

Purpose

This unit provides the demonstration of routine maintenance on hydraulic systems on boom trucks with folding booms (unlimited tonnage)

Prerequisites

Unit Standard AMS 9.13 K Demonstrate knowledge of inspecting engines, monitoring devices and hydraulic systems on boom trucks with folding booms (unlimited tonnage)

Unit Standard AMS 9.14 K Demonstrate knowledge of servicing and maintenance procedures on boom trucks with folding booms (unlimited tonnage)

Assessment

For assessment purposes, all explanations, descriptions, and activities must comply with current legislation, including WorkSafeBC regulations, and industry practices:

CAN/CSA-Z150-20 Safety Code on Mobile Cranes,

Z150.3 Knuckle-boom Cranes – (New Standard under development)

ANSI Standard ANSI/ASME B30.5-2021, Mobile and Locomotive Crane or ANSI/AMSE B30.22-2016, Articulating Boom Crane

Workplace Hazardous Material Information System (WHMIS)

Quality Assurance

Any assessor assessing against this competency standard must be an occupationally competent Boom Truck mounted crane operator with industrial experience; and have completed the assessor registration competency.

References

WorkSafeBC Occupational Health and Safety (OHS) regulations

The Hoisting and Rigging Safety Manual, Infrastructure Health and Safety Association of Ontario, 2009

CSA Standard Z150-20 Safety Code for Mobile Cranes,

ANSI Standard ANSI/ASME B 30.5-2021, Mobile and Locomotive Crane or

ANSI/ASME B30.22-2016, Articulating Boom Crane,

Workplace Hazardous Material Information System WHMIS

And delivery Agency policy

Task 1

Perform routine inspections and maintenance of hydraulic systems on boom trucks with folding booms (unlimited tonnage)

Performance Standard

1.1 Inspection of hydraulic systems is accurately performed

Must include

1. pumps
2. fluid levels
3. hoses
4. motors

1.2 Maintenance of hydraulic systems is safely and correctly performed

Unit Standard AMS 9.17 W

Maintenance & Service

Inspect monitoring devices and control mechanisms on boom trucks with folding booms (unlimited tonnage)

Purpose

This unit provides the demonstration of inspection of monitoring devices and control mechanisms on boom trucks with folding booms (unlimited tonnage)

Prerequisites

Unit Standard AMS 9.13 K Demonstrate knowledge of inspecting engines, monitoring devices and hydraulic systems on boom trucks with folding booms (unlimited tonnage)

Unit Standard AMS 9.14 K Demonstrate knowledge of servicing and maintenance procedures on boom trucks with folding booms (unlimited tonnage)

Assessment

For assessment purposes, all explanations, descriptions, and activities must comply with current legislation, including WorkSafeBC regulations, and industry practices:

CAN/CSA-Z150-20 Safety Code on Mobile Cranes,

Z150.3 Knuckle-boom Cranes – (New Standard under development)

ANSI Standard ANSI/ASME B30.5-2021, Mobile and Locomotive Crane or ANSI/AMSE B30.22-2016, Articulating Boom Crane

Workplace Hazardous Material Information System (WHMIS)

Quality Assurance

Any assessor assessing against this competency standard must be an occupationally competent Boom Truck mounted crane operator with industrial experience; and have completed the assessor registration competency.

References

WorkSafeBC Occupational Health and Safety (OHS) regulations

The Hoisting and Rigging Safety Manual, Infrastructure Health and Safety Association of Ontario, 2009 CSA Standard Z150-20 Safety Code for Mobile Cranes,

ANSI Standard ANSI/ASME B 30.5-2021, Mobile and Locomotive Crane or

ANSI/ASME B30.22-2016, Articulating Boom Crane,

Workplace Hazardous Material Information System WHMIS and delivery Agency policy

Task 1

Inspect monitoring devices on boom trucks with folding booms (unlimited tonnage) according to manufacturer's specifications and company requirements

Performance Standard

1.1 Inspection of monitoring devices is accurately performed

Must include

1. Load moment indicator (LMI) (when equipped)
2. anti two block device (when equipped with hoist)

1.2 Maintenance of monitoring systems is safely and correctly performed

Task 2

Inspect control mechanisms on boom trucks with folding booms (unlimited tonnage) according to manufacturer's specifications and company requirements

2.1 Control mechanisms are accurately inspected

2.2 Adjustment of control mechanisms is performed

Must include

1. cables
2. brakes
3. levers

Unit Standard AMS 9.23 K

Maintenance & Service

Demonstrate knowledge of inspecting engines, monitoring devices and hydraulic systems for boom trucks with stiff booms (unlimited tonnage)

Purpose

This unit provides the knowledge required to inspect engines, monitoring devices and hydraulic systems.

Prerequisites

All Unit Standards in Core Sections 1, 2, 3, 4 and 9

Assessment

For assessment purposes, all explanations, descriptions, and activities must comply with current legislation, including WorkSafeBC regulations, and industry practices:

CAN/CSA-Z150-20 Safety Code on Mobile Cranes,

Z150.3 Knuckle-boom Cranes – (New Standard under development)

ANSI Standard ANSI/ASME B30.5-2021, Mobile and Locomotive Crane or ANSI/AMSE B30.22-2016, Articulating Boom Crane

Workplace Hazardous Material Information System (WHMIS)

Quality Assurance

Any assessor assessing against this competency standard must be an occupationally competent Boom Truck mounted crane operator with industrial experience; and have completed the assessor registration competency.

References

WorkSafeBC Occupational Health and Safety (OHS) regulations

The Hoisting and Rigging Safety Manual, Infrastructure Health and Safety Association of Ontario, 2009 CAN/CSA-Z150-20 Safety Code for Mobile Cranes,

ANSI Standard ANSI/ASME B 30.5-2021, Mobile and Locomotive Crane or

ANSI/ASME B30.22-2016, Articulating Boom Crane,

Workplace Hazardous Material Information System WHMIS and delivery Agency policy

Note: The completion of Core Unit CMS 9.1 W is achieved naturally while completing the Advanced Units in Section 9 on Maintenance and Service.

Task 1

Demonstrate knowledge of tools required to perform basic boom truck with stiff boom maintenance.

Performance Standards

1.1 The tools required for basic boom truck maintenance and their functions are described.

Must include

1. grease gun
2. wrenches
3. screwdrivers
4. hammers
5. vice grips
6. shovels
7. pinch bar
8. step ladder
9. tape measure (fibreglass or cloth)

Task 2

Demonstrate knowledge of inspecting engines on boom trucks.

Performance Standards

2.1 Engine inspections are correctly described

Must include

1. crank case oil
2. air filters and cleaner
3. radiator levels and coolant systems
4. air dryer systems

Task 3

Demonstrate knowledge of inspecting monitoring devices on boom trucks.

Performance Standard

3.1 Inspecting monitoring devices is accurately described

Must include

1. Load moment indicator (LMI)
2. boom angle indicator
3. boom length indicator
4. anti two block device

Task 4

Demonstrate knowledge of inspecting hydraulic systems on boom trucks.

Performance Standard

4.1 Safety precautions to take while performing inspections are described

Must include

1. discharge of pressure in system
2. avoiding oil being injected into the bloodstream
3. shut down of motor
4. avoiding burns and scalds

4.2 Inspecting hydraulic systems is accurately described

Must include

1. pumps
2. fluid levels
3. hoses
4. motors
5. valves

Unit Standard AMS 9.24 K

Maintenance & Service

Demonstrate knowledge of servicing and maintenance procedures on procedures on boom trucks with stiff booms (unlimited tonnage)

Purpose

This unit provides the knowledge required to perform service and maintenance on boom trucks with stiff booms (unlimited tonnage).

Prerequisites

Unit Standard AMS 9.23 Demonstrate knowledge of inspecting engines, monitoring devices and hydraulic systems on boom trucks with stiff booms (unlimited tonnage)

Assessment

For assessment purposes, all explanations, descriptions, and activities must comply with current legislation, including WorkSafeBC regulations, and industry practices:

CAN/CSA-Z150-20 Safety Code on Mobile Cranes,

Z150.3 Knuckle-boom Cranes – (New Standard under development)

ANSI Standard ANSI/ASME B30.5-2021, Mobile and Locomotive Crane or ANSI/AMSE B30.22-2016, Articulating Boom Crane

Workplace Hazardous Material Information System (WHMIS)

Quality Assurance

Any assessor assessing against this competency standard must be an occupationally competent Boom Truck mounted crane operator with industrial experience; and have completed the assessor registration competency.

References

WorkSafeBC Occupational Health and Safety (OHS) regulations

The Hoisting and Rigging Safety Manual, Infrastructure Health and Safety Association of Ontario, 2009 CAN/CSA-Z150-20 Safety Code for Mobile Cranes,

ANSI Standard ANSI/ASME B 30.5-2021, Mobile and Locomotive Crane or

ANSI/ASME B30.22-2016, Articulating Boom Crane,

Workplace Hazardous Material Information System WHMIS and delivery Agency policy

Task 1

Demonstrate knowledge of engine cooling system maintenance information from manufacturer's manuals.

Performance Standards

1.1 Use and interpretation of manufacturer's manuals is described

Task 2

Demonstrate knowledge of service and maintenance performed on boom trucks with stiff booms (unlimited tonnage)

Performance Standards

2.1 Basic service and maintenance of engines is described

Must include

1. grease fittings
2. addition of required fluids
3. adjustment of belts
4. replacement of belts
5. adjustment of air cleaners
6. oil and filter change
7. hoses

2.2 Adjustment of control mechanisms is explained

Must include

1. cables
2. brakes
3. clutches
4. levers

2.3 Structural maintenance is described

Must include

1. bolts
2. wedges
3. cotter keys
4. pins
5. guard rails

2.4 Cleaning crane components is described

Must include

1. batteries
2. cab
3. windows
4. wheels
5. deck

2.5 Service and maintenance to a boom truck and its accessory systems is described

Must include

1. gearbox
2. hydraulic tank breathers
3. outriggers and stabilizers
4. booms
5. steering systems
6. air tanks
7. filters

2.6 Maintenance of cooling systems is described

Must include

1. air cooling systems
2. water cooling systems

Task 3

Demonstrate knowledge of factors influencing operator's maintenance responsibilities

Performance Standards

3.1 Factors influencing operator's maintenance responsibilities are explained

Must include

1. operator's responsibility according to industry
2. operator's capabilities
3. tool availability
4. availability of higher level maintenance
5. location

Task 4

Demonstrate knowledge of reporting and recording procedures for mobile crane service and maintenance.

Performance Standards

- 4.1 Reporting defects and deficiencies to the boom truck and site supervisors is explained
- 4.2 Recording maintenance in the log book is explained

Must include

1. maintenance requested
2. maintenance performed
3. legal requirements for entries

Unit Standard AMS 9.25 W

Maintenance & Service

Complete maintenance checklists (engine on/engine off) and maintain engines on a boom truck with a stiff boom (unlimited tonnage) to manufacturer's specifications

Purpose

This unit provides the demonstration of engine maintenance according to manufacturer's specifications.

Prerequisites

Unit Standard AMS 9.23 K Demonstrate knowledge of inspecting engines, monitoring devices and hydraulic systems on boom trucks with stiff booms (unlimited tonnage)

Unit Standard AMS 9.24 K Demonstrate knowledge of servicing and maintenance procedures on boom trucks with stiff booms (unlimited tonnage)

Assessment

For assessment purposes, all explanations, descriptions, and activities must comply with current legislation, including WorkSafeBC regulations, and industry practices:

CAN/CSA-Z150-20 Safety Code on Mobile Cranes,

Z150.3 Knuckle-boom Cranes – (New Standard under development)

ANSI Standard ANSI/ASME B30.5-2021, Mobile and Locomotive Crane or ANSI/AMSE B30.22-2016, Articulating Boom Crane

Workplace Hazardous Material Information System (WHMIS)

Quality Assurance

Any assessor assessing against this competency standard must be an occupationally competent Boom Truck mounted crane operator with industrial experience; and have completed the assessor registration competency.

References

WorkSafeBC Occupational Health and Safety (OHS) regulations

The Hoisting and Rigging Safety Manual, Infrastructure Health and Safety Association of Ontario, 2009 CAN/CSA-Z150-20 Safety Code for Mobile Cranes,

ANSI Standard ANSI/ASME B 30.5-2021, Mobile and Locomotive Crane or

ANSI/ASME B30.22-2016, Articulating Boom Crane,

Workplace Hazardous Material Information System WHMIS and delivery Agency policy

Task 1

Complete maintenance engine checklists while the engine is OFF

Performance Standards

- 1.1 All parts of the checklist are accurately checked according to the company's requirements and manufacturer's manuals
- 1.2 Problems are accurately identified
- 1.3 Identified problems are recorded in the maintenance log book
- 1.4 Identified problems are reported to the crane superintendent

Task 2

Complete maintenance engine checklists while the engine is ON

Performance Standards

- 2.1 All parts of the checklist are accurately checked according to the company's requirements
- 2.2 Problems are accurately identified
- 2.3 Identified problems are recorded in the maintenance log book
- 2.4 Identified problems are reported to the crane superintendent

Task 3

Maintain engines to the manufacturer's specifications

Performance Standards

- 3.1 Basic service and maintenance of crane engines is performed

Must include

1. addition of required fluids
2. adjustment of belts
3. replacement of belts
4. air cleaners

5. oil filters
6. hoses

3.2 Manufacturer's manuals are interpreted accurately to determine maintenance requirements

3.3 The tools required for basic crane maintenance are correctly used.

Must include

1. grease gun
2. wrenches
3. screwdrivers
4. hammers
5. vice grips
6. pinch bar
7. step ladder
8. tape measure (cloth or fibreglass)

3.4 Structural maintenance is performed

Must include

1. bolts
2. wedges
3. cotter keys
4. pins
5. guard rails

3.5 Service and maintenance to crane and accessory systems is performed

Must include

1. gearbox
2. hydraulic tank breathers
3. outriggers and stabilizers
4. booms
5. steering systems
6. air tanks
7. filters

3.6 Cleaning crane components is performed

Must include

1. batteries
2. cab
3. windows
4. wheels
5. deck

Unit Standard AMS 9.26 W

Maintenance & Service

Perform routine inspections and maintenance on hydraulic systems on boom trucks with stiff booms (unlimited tonnage)

Purpose

This unit provides the demonstration of routine maintenance on hydraulic systems on boom trucks with stiff booms (unlimited tonnage)

Prerequisites

Unit Standard AMS 9.23 K Demonstrate knowledge of inspecting engines, monitoring devices and hydraulic systems on boom trucks with stiff booms (unlimited tonnage)

Unit Standard AMS 9.24 K Demonstrate knowledge of servicing and maintenance procedures on boom trucks with stiff booms (unlimited tonnage)

Assessment

For assessment purposes, all explanations, descriptions, and activities must comply with current legislation, including WorkSafeBC regulations, and industry practices:

CAN/CSA-Z150-20 Safety Code on Mobile Cranes,

Z150.3 Knuckle-boom Cranes – (New Standard under development)

ANSI Standard ANSI/ASME B30.5-2021, Mobile and Locomotive Crane or ANSI/AMSE B30.22-2016, Articulating Boom Crane

Workplace Hazardous Material Information System (WHMIS)

Quality Assurance

Any assessor assessing against this competency standard must be an occupationally competent Boom Truck mounted crane operator with industrial experience; and have completed the assessor registration competency.

References

WorkSafeBC Occupational Health and Safety (OHS) regulations

The Hoisting and Rigging Safety Manual, Infrastructure Health and Safety Association of Ontario, 2009 CAN/CSA-Z150-20 Safety Code for Mobile Cranes,

ANSI Standard ANSI/ASME B 30.5-2021, Mobile and Locomotive Crane or

ANSI/ASME B30.22-2016, Articulating Boom Crane,

Workplace Hazardous Material Information System WHMIS

And delivery Agency policy

Task 1

Perform routine inspections and maintenance of hydraulic systems on boom trucks with stiff booms (unlimited tonnage)

Performance Standard

1.1 Inspection of hydraulic systems is accurately performed

Must include

1. pumps
2. fluid levels
3. hoses
4. motors

1.2 Maintenance of hydraulic systems is safely and correctly performed

Unit Standard AMS 9.27 W

Maintenance & Service

Inspect monitoring devices and control mechanisms on boom trucks with stiff booms (unlimited tonnage)

Purpose

This unit provides the demonstration of inspection of monitoring devices and control mechanisms on boom trucks with stiff booms (unlimited tonnage)

Prerequisites

Unit Standard AMS 9.23 K Demonstrate knowledge of inspecting engines, monitoring devices and hydraulic systems on boom trucks with stiff booms (unlimited tonnage)

Unit Standard AMS 9.24 K Demonstrate knowledge of servicing and maintenance procedures on boom trucks with stiff booms (unlimited tonnage)

Assessment

For assessment purposes, all explanations, descriptions, and activities must comply with current legislation, including WorkSafeBC regulations, and industry practices:

CAN/CSA-Z150-20 Safety Code on Mobile Cranes,

Z150.3 Knuckle-boom Cranes – (New Standard under development)

ANSI Standard ANSI/ASME B30.5-2021, Mobile and Locomotive Crane or ANSI/AMSE B30.22-2016, Articulating Boom Crane

Workplace Hazardous Material Information System (WHMIS)

Quality Assurance

Any assessor assessing against this competency standard must be an occupationally competent Boom Truck mounted crane operator with industrial experience; and have completed the assessor registration competency.

References

WorkSafeBC Occupational Health and Safety (OHS) regulations

The Hoisting and Rigging Safety Manual, Infrastructure Health and Safety Association of Ontario, 2009

CAN/CSA-Z150-20 Safety Code for Mobile Cranes,

ANSI Standard ANSI/ASME B 30.5-2021, Mobile and Locomotive Crane or

ANSI/ASME B30.22-2016, Articulating Boom Crane,

Workplace Hazardous Material Information System WHMIS and delivery Agency policy

Task 1

Inspect monitoring devices on boom trucks with stiff booms (unlimited tonnage) according to manufacturer's specifications and company requirements

Performance Standard

1.1 Inspection of monitoring devices is accurately performed

Must include

1. Load moment indicator (LMI)
2. boom angle indicator
3. boom length indicator
4. anti two block device

1.2 Maintenance of monitoring systems is safely and correctly performed

Task 2

Inspect control mechanisms on boom trucks with stiff booms (unlimited tonnage) according to manufacturer's specifications and company requirements

2.1 Control mechanisms are accurately inspected

2.2 Adjustment of control mechanisms is performed

Must include

1. cables
2. brakes
3. clutches
4. levers

BOOM TRUCK OPERATOR STIFF BOOM UNLIMITED TONNAGE

**TRAINING PROVIDER
STANDARDS**

TRAINING PROVIDER STANDARDS

The BC Crane Operator: Boom Trucks with Stiff Booms (unlimited tonnage) program is a Competency Based Program of Instruction building on a mandatory Core Program of Instruction. This means that the Program Outline defines the Outcomes expected of training, not the inputs, which include time.

By their nature cranes require a one-to-one ratio of student-to-crane to develop the required competence. Industry believes a crane operator becomes competent through building on his or her theoretical knowledge with real world experience.

This program is divided into theoretical and practical components.

The theoretical component is made up of the Knowledge Units, which:

- can be taught in a classroom setting by a qualified instructor (see below)
- delivered on line
- learned through self study on line or through printed materials

The practical component is made up of the Workplace Units, which:

- require hands on experience
- are assessed on the job by a Registered Workplace Assessor
- may be begun in a simulated setting such as a training yard, but are assessed for credit in the workplace

The industry is interested in the outcome of training and is looking for creative responses from the crane training community on how to best deliver training to these standards in a time efficient and cost effective manner. Industry has purposely not set minimum equipment requirements for this reason.

Past training experience in this area has shown consistent training outcomes to these standards in a wide range of times and with a variable mix of on seat equipment time vs. theory instruction time.

With these competence standards industry now has a vehicle for structuring on the job training and wishes to see trainers take advantage of the opportunity on the job training represents. For example, some ideas industry has discussed as options include:

4. Support learners on the job by bringing the trainer to the job site. Crane purchase or rental is not required by the trainer and the learner receives targeted instruction.
5. Deliver instruction in the evenings or on weekends to complement the learner's on the job experience.
6. Deliver targeted theory and practical instruction precisely geared to the standards in this outline – which will ideally guarantee a highly skilled individual to the employer who can demonstrate workplace competence in short order.

Instructor Qualification:

For technical training, instructors must be occupationally competent to run the crane type they are training to, and hold a full scope certificate for the crane type they are training to.

Minimum List of Shop/Laboratory Equipment Required for on Boom Trucks with Stiff Booms (unlimited tonnage)

Industry wishes to state no minimum requirement in the interest of permitting training providers maximum flexibility in the options and strategies they may employ in training to these standards.

BC CRANE OPERATOR PROGRAM OVERVIEW

Section 14.34.1 of the OHS Regulation states: On and after July 1, 2007, a mobile crane, tower crane or boom-truck must be operated only

- c) by a person with a valid operator's certificate issued by a person acceptable to the Board, and
- d) in accordance with any conditions stipulated on the certificate by the issuing person.

Section 14.34.1 applies to operators of all mobile cranes, boom trucks, and tower cranes with a rated capacity greater than five tonnes or with a boom length greater than 8 metres.

Operator Certification/Qualification for Crane Operators in BC may be obtained to operate each of the following types of cranes:

Mobile Cranes

- 6. Hydraulic Mobile Crane 20 tonnes and under
- 7. Hydraulic Mobile Crane 80 tonnes and under
- 8. Mobile unlimited tonnage (Mobile Crane as per 2017 Harmonization)
- 9. Mobile Lattice Friction (Mobile Crane as per 2017 Harmonization)
- 10. Mobile Lattice Hydraulic (Mobile Crane as per 2017 Harmonization)

Boom Trucks

- 7. Folding Boom 10 tonnes and under
- 8. Folding Boom 22 tonnes and under
- 9. Folding Boom unlimited tonnage
- 10. Stiff Boom 20 tonnes and under
- 11. Stiff Boom 40 tonnes and under
- 12. Stiff Boom unlimited tonnage

Tower Cranes

- 1. Tower Crane
- 2. Self-Erect Tower Crane

Operator certification is granted for each crane type. A candidate may choose to undertake certification in one or two crane types only or in all crane types. Each crane type requires a course of study, on-job training and the successful completion the operator assessments for that crane type. Certification is granted according to the BC Association for Crane Safety (BCACS) Levels.

The BCACS Levels

Provisional Operator means a person who has passed the theory assessment and is certified to make routine lifts with a minimum of indirect supervision. but will require hands-on, direct supervision for all first time significant lifts and all critical lifts. These lifts will be clearly documented by both the operator and the employer. Theory assessments for existing operators who choose to obtain provisional certification will be conducted by the employer. New operators will be required to pass a formal written assessment. Provisional certification is valid for one year and can be renewed up to three times. A provisional certificate will specify what type of crane the operator may operate and their employer. The Provisional Certificate is only valid while working for the identified employer on the certificate. If the operator changes employers, they must submit a change of employer form.

Full Scope Operator means a person who has passed both the theory and practical assessments conducted by a third-party assessor for a specific crane type. A Full-Scope Certificate will specify what type of crane the operator may operate. This certificate means that the operator is competent to safely perform all crane lifts within the scope of the identified crane type and size. The employer is not identified on this certificate.

Assessors

Third Party Assessor means a person recognized by the BCACS to perform practical assessments. This person must be dedicated to assessing only and not be a trainer of crane operators or otherwise be in any other potential conflict of interest.

Theory Assessment means an assessment administered by the BCACS, conducted on either paper, computer, verbal or other means. These assessments will be delivered through the ITA (Industry Training Authority) and administered by the BCACS.

Practical Assessment means an assessment conducted by a third party assessor, and approved by the BCACS. The assessment involves spoken questions, as well as the operator using the crane to show that they have the basic knowledge, skills and ability to safely operate the crane. The operator is then considered to be **competent** (having the right skills and knowledge to operate the crane safely and economically) and will receive written proof. If the operator is found **not yet competent** after performing the practical assessment they would be allowed to continue operating with a provisional certificate as decided by the third party assessor. An action plan and a follow-up date will be set following the completion of the assessment. The operator will be informed of this date both verbally and in writing.

The Steps to Qualification

To become a certified crane operator in British Columbia candidates may follow one of two options:

1. Experienced operators who are not yet certified, must challenge the certification process. Some classifications require one to three theory exams before the practical assessment can be attempted. Other classifications require only the practical assessment. Operators who are certified in another jurisdiction must apply to BCACS to have their credentials recognized in British Columbia
2. New crane operators must apply, with their employer, for a provisional certificate and work under supervision until they have met the competency and hour requirements.

Each course of study and on-job training includes:

1. A mandatory common core program for all crane types.
2. Advanced units of study in each of the individual crane types that build on the common core.

This program is divided into theoretical and practical components.

The theoretical component is made up of the Knowledge Units, which:

- may be taught in a classroom setting by a qualified instructor,
- delivered on line, or
- learned through self study on line or through printed materials

The practical component is made up of the Workplace Units, which:

- require hands on experience
- are assessed on the job by a Registered Workplace Assessor
- may be begun in a simulated setting such as a training yard, but are assessed for credit in the workplace

RECOMMENDED REFERENCE TEXTBOOKS, VIDEO/DVD RESOURCES

From the Construction Safety Association of Ontario <http://www.csa.o.org/>

Mobile Crane Manual

by Donald E. Dickie, P. Eng., D. H. Campbell, P. Eng.

Construction Safety Association of Ontario ISBN 0-8273-6527-6

Rigging Manual

by Donald E. Dickie, P. Eng.

Construction Safety Association of Ontario ISBN 0-7726-1574-8

Hoisting and Rigging Safety Manual

Construction Safety Association of Ontario ISBN 0-919465-70-6

Slings

Construction Safety Association of Ontario ISBN 0-919465-76-5

VIDEO/DVD

Safety in Rigging Video/DVD Series

The complete set of 10 *Safety in Rigging* DVDs (FD001-FD010), complete with instructor's notes. Includes:

11. Cranes: Types, Components and Case Histories (FD001)
12. Hazard Awareness in Crane Operating Areas (FD002)
13. International Hand Signals (FD003)
14. Wire Rope (FD004)
15. Hardware (FD005)
16. Chain (FD006)
17. Slings (FD007)
18. Reeving (FD008)
19. Hoists, Winches and Related Devices (FD009)
20. Jacks, Rollers and Related Devices (FD010)

Cranes: Types, Components and Case Histories Video/DVD (set of 10)

From the Operating Engineers Training Institute of Ontario <http://www.oetio.com>

Mobile Craning Today

Operating Engineers Training Institute of Ontario ISBN 0-8273-5460-6

Additional Resources

IPT's Crane and Rigging Handbook
by Ronald G. GarbyISBN 0-920855-14-8

IPT's Crane and Rigging Training Manual
By Ronald G. GarbyISBN 0-920855-16-4

Reference Authority

6. WorkSafeBC Occupational Health and Safety (OHS) regulations
7. WorkSafe BC Occupational First Aid Requirements
8. CAN/CSA-Z150-20 Safety Code for Mobile Cranes,
9. ANSI Standard ANSI/ASME B30.5-2021, Mobile and Locomotive Crane or ANSI/AMSE B30.22-2016, Articulating Boom Crane,
10. ANSI Standard ANSI/SIA A92.2-2001 American National Standard Vehicle-Mounted Elevating and Rotating Aerial Devices



BC Association for Crane Safety
PO Box 42066 RPO Guildford
Surrey, BC V3R 1S5

Phone: 604-336-4699 | Fax: 604-336-4510
Email: info@bccranesafety.ca
www.bccranesafety.ca

© 2021 BC Crane Safety. All rights reserved.